

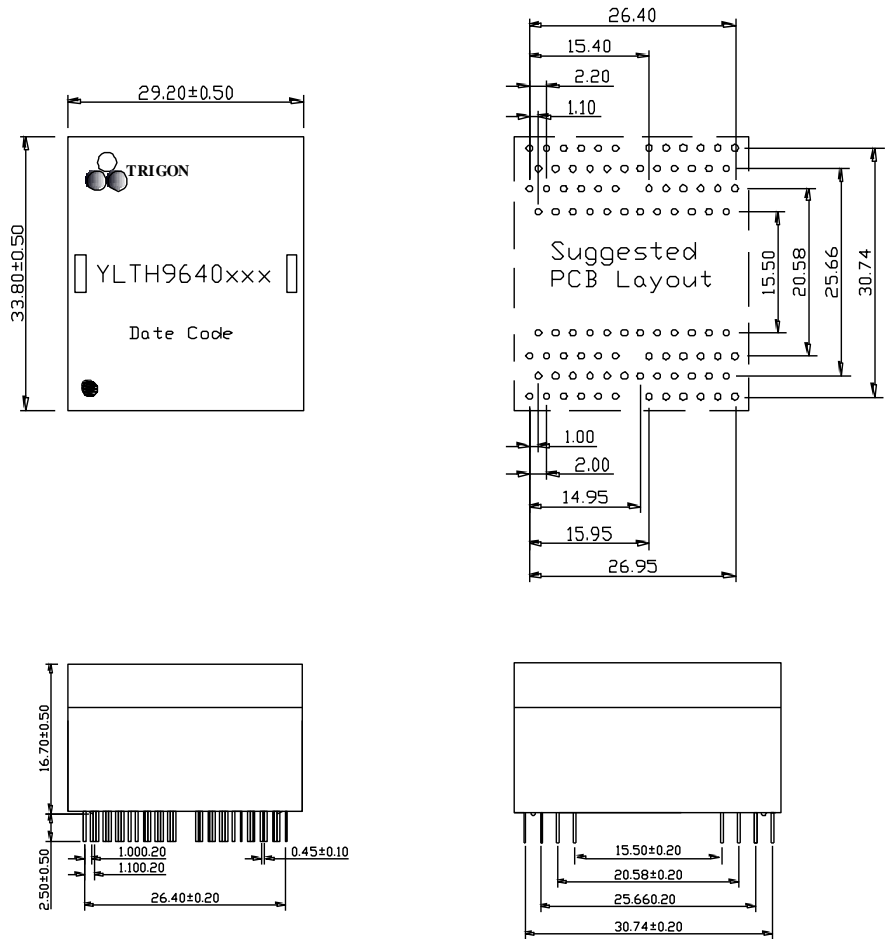
YLTH9640 Series

2.5/5G Base-T Quad Ports (DIP Type) Magnetics Modules

TRIGON
COMPONENTS



Mechanical Dimensions



FEATURES

- Surface Mount
- Cost Effective
- Optimum Performance
- Industrial Standard Footprint
- Optional Pin-Outs
- Cable Interface For Isolation
- Low Common Mode Emissions
- RoHS Compliant
- Meets IEEE802.3bz Standard For 2.5/5G Base-T

APPLICATIONS

- Designed For Ethernet 2.5/5G Base-T, Full Quad Ports Application
- 5G CPE
- WiFi5/6
- Access Points

ORDERING CODE

YLT H 9640XXX T
(1) (2) (3) (4)

- (1) LAN Transformer
- (2) High Speed Over One Gigabit
- (3) Series code
- (4) Package
T= Tape & Reel

IC Manufactures Reference Application:

Aquantia:
AQR108, AQR408

Broadcom:
BCM54991, BCM63153, BCM63158, BCM84880

Marvell:
88E2010, 88E2018, 88E2110

YLTH9640 Series

2.5/5G Base-T Quad Ports (DIP Type) Magnetics Modules

TRIGON
COMPONENTS

Electrical Specifications @ 25°C, Operating Temperature 0°C~70°C

Part Number	OCL (uH Min)	Insertion Loss (dB Max)	Return Loss (dB Max)	Returnn Loss (dB Max)	Cross Talk (dB Typ)	CMRR (dB Typ)	PoE Rating	Hipot (Vrms)
	100KHz, 1Vrms	1-400MHz / 400-500MHz	1-40MHz	40-250MHz *Z Out=100 OHM±1%	1-250MHz	1-250MHz	Watt	For 1 Minute
YLTH96401T	200@8mA	-1.0 / -2.0	-16	-16+10log(f/40)	-30	-30	NON-PoE	1500
YLTH96402T	200@8mA	-1.0 / -2.0	-16	-16+10log(f/40)	-30	-30	4PPoW-30W	1500
YLTH96402-1PT	200@14mA	-1.0 / -2.0	-16	-16+10log(f/40)	-30	-30	4PPoW-75W	1500
YLTH96404T	200@8mA	-1.0 / -2.0	-16	-16+10log(f/40)	-30	-30	4PPoW-30W	1500

*These Transformers with Operating Temperature At -40°C~+85°C, Are Available Upon Request.

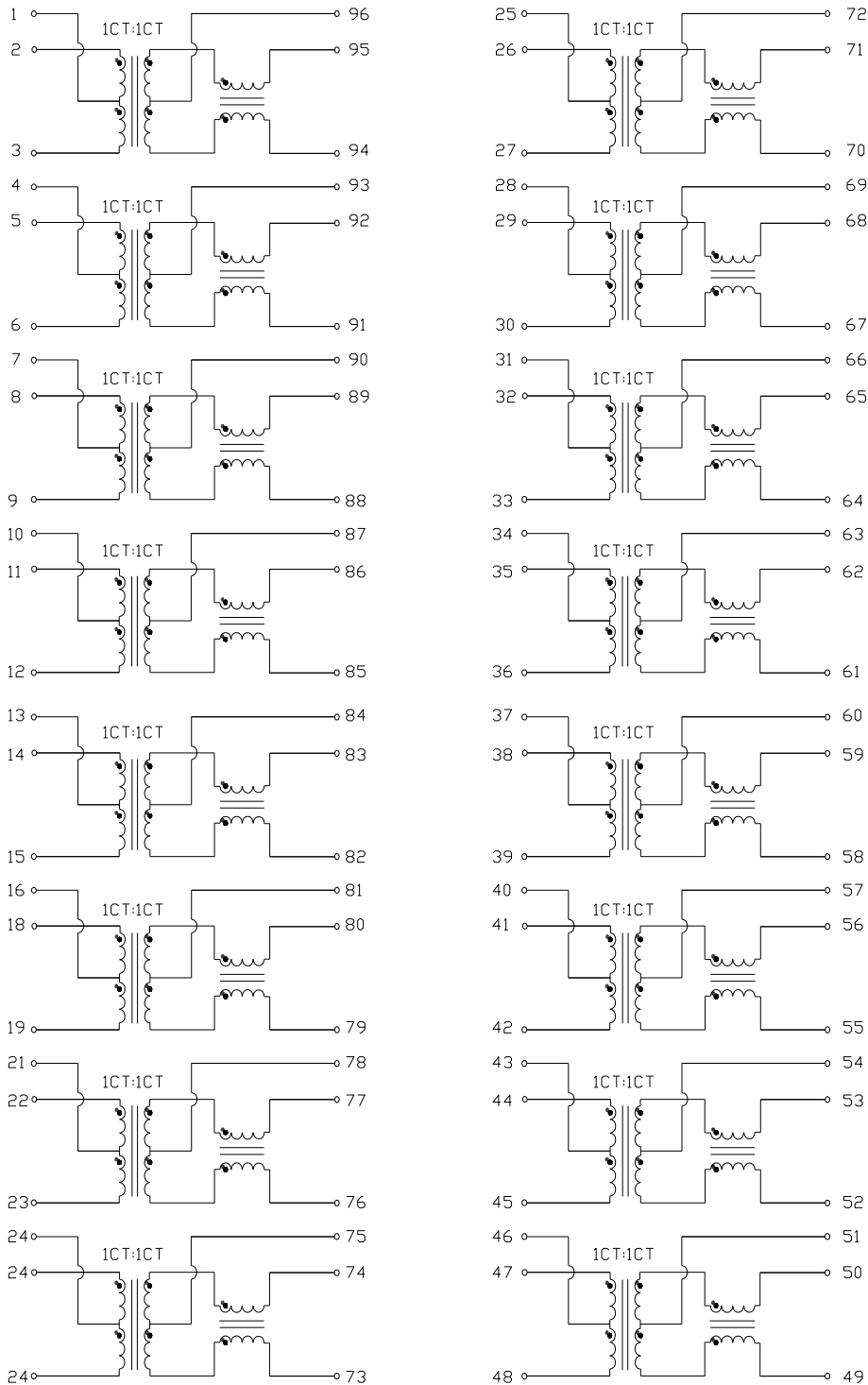
YLTH9640 Series

2.5/5G Base-T Quad Ports (DIP Type) Magnetics Modules

TRIGON
COMPONENTS

Schematic

YLTH96401T



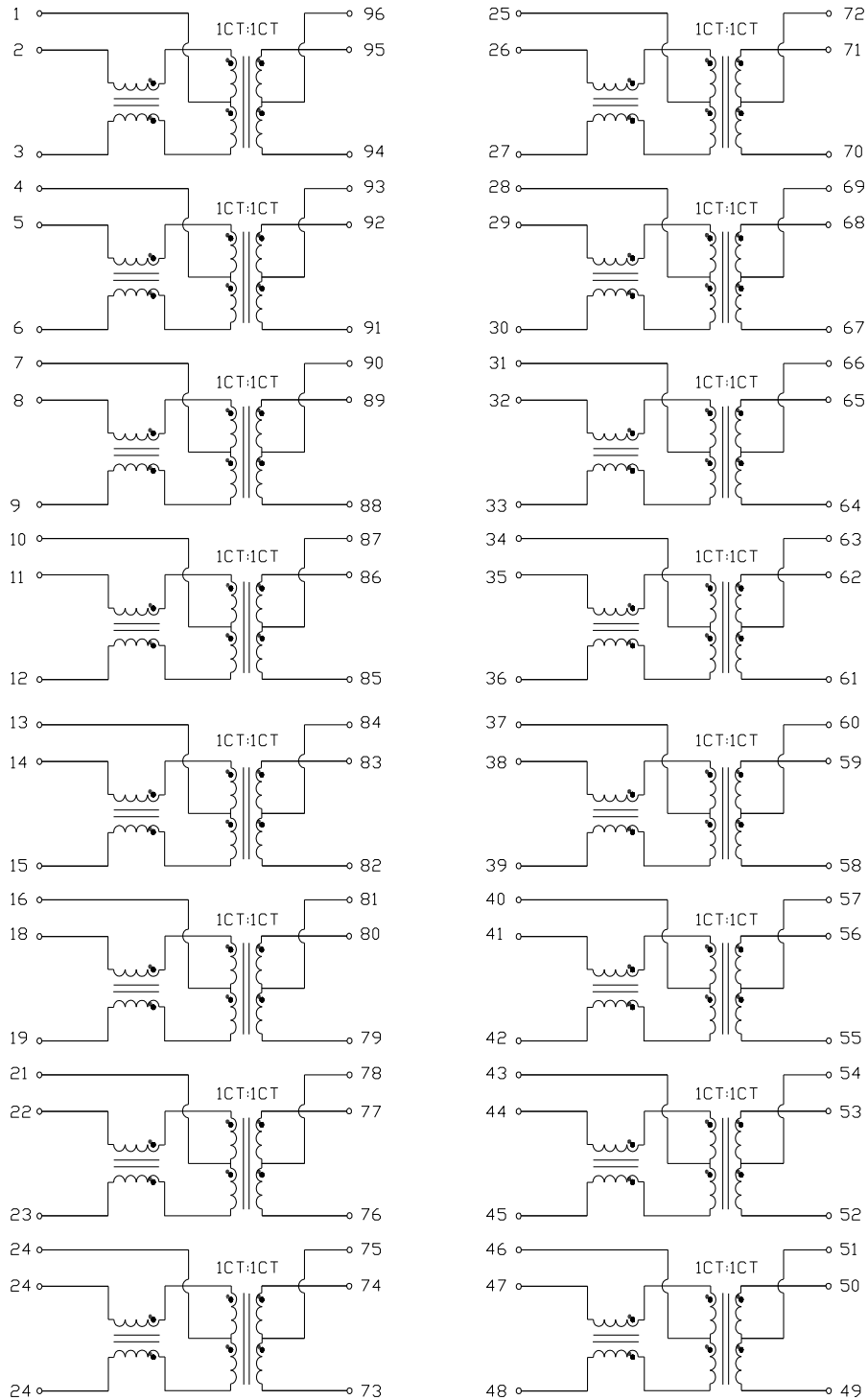
YLTH9640 Series

2.5/5G Base-T Quad Ports (DIP Type) Magnetics Modules

TRIGON
COMPONENTS

Schematic

YLTH96402PT/YLTH96402-1PT



YLTH9640 Series

2.5/5G Base-T Quad Ports (DIP Type) Magnetics Modules

TRIGON
COMPONENTS

Schematic

YLTH96404T

