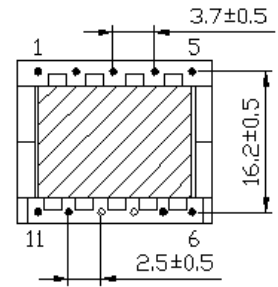
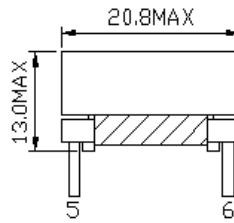
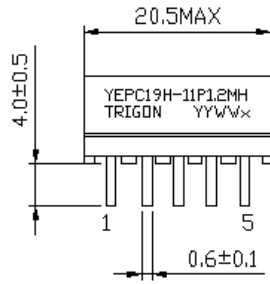


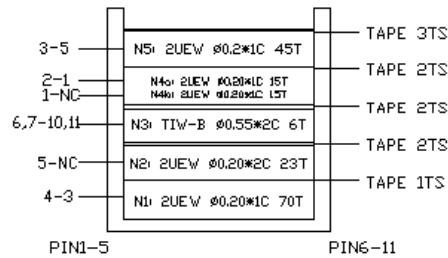
**CONFIGURATION & DIMENSIONS:** (mm)



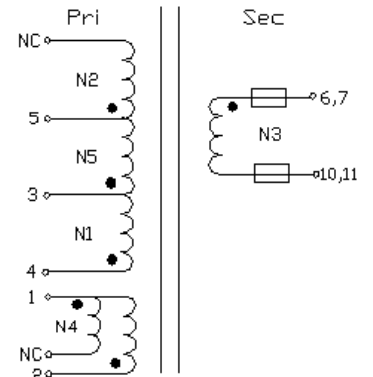
**ELECTRICAL SPECIFICATION:** @25°C

Inductance:  
 L<5-4>: 1.2mH±10% @60KHz/0.1V  
 Leakage Inductance:  
 Lk<5-4>: 35uH Max @60KHz/0.1V  
 (short all other pins)  
 DCR: R<5-4>=2.5Ω MAX  
 R<2-1>=0.42Ω MAX  
 R<6,7-10,11>=10mΩ MAX  
 HI-POT:  
 Pri to Sec: 1.5KVAC/5mA/3S

**WINDING CONSTRUCTION:**



**SCHEMATIC:**



**NOTE:**

1. THIS PART IS ROHS COMPLIANT
2. PIN8,9 Removed
3. Connected the cores to PIN1 by a wire.

TOL UNLESS NOTED				TITLE: TRANSFORMER			PART NO: YEPC19H-11P1.2MH				
.Xi ±0.40mm					APPROVED BY	CHECKED BY	DRAWN BY				
.XXi ±0.25mm					ES	LL	JK	UNIT	mm	SCALE	NONE
.XXXi ±0.10mm				02	11-20-2018	LL		SHEET	1	OF	1
ANGLE: ±3.0°				01	06-07-2018	LL		TRIGON COMPONENTS, INC. www.trigoncomponents.com			
REV	DATE	SIGN									