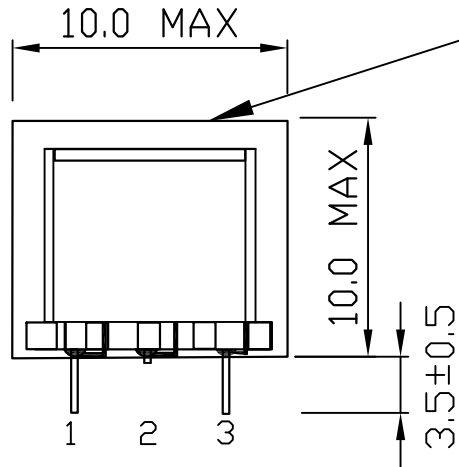
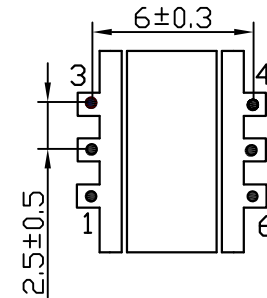
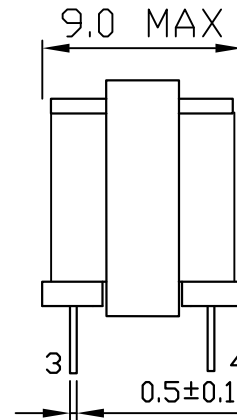


CONFIGURATION & DIMENSIONS (mm)



YEE8.3V-6P2.51MH
TRIGON XYYx
LABEL:
XX: YEAR
YY: WEEK
x: INNER CODE



ELECTRICAL SPECIFICATION @25°C

INDUCTANCE:

L(1-3): 2.51mH±15% @100KHz,1.0V

LK(1-3): ≤35uH @100KHz,1.0V

(SHORT SECONDARY)

URNS RATIO @ 20KHZ, 1.0 VRMS INPUT: (1-3)

(5-6): 0.127±5%;

(4-5): 0.0396±15%;

DCR:

(1-3)= 10.32ohm max

(5-6)= 0.252ohm max

(4-5)= 0.093ohm max

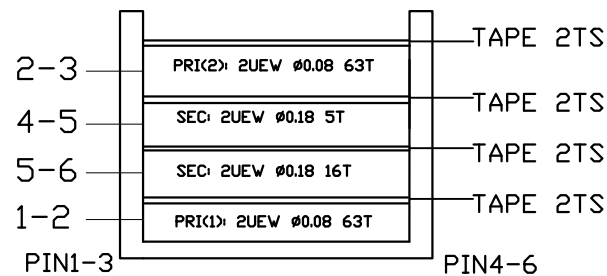
HI-POT: (PRI TO SEC) 1000VAC/1S @60Hz 3mA

HI-POT: (COIL TO CORE) 500VAC/1S @60Hz 3mA

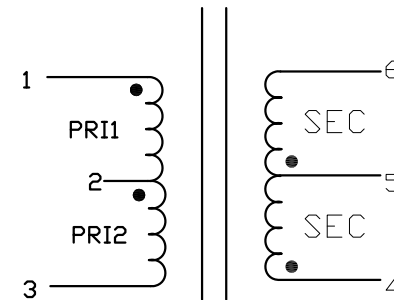
NOTE:

- PIN2: CUT OFF 1/2
- THIS PART IS ROHS COMPLIANT

WINDING CONSTRUCTION:



SCHEMATIC:



"•":START

GENERAL TOLERANCES (UNLESS SPECIFIED)	A4	16-11-2016	LL	TITLE: EE8.3 power transformer			PART NO: YEE8.3V-6P2.51MH					
	.X = ±0.40mm	A3	4-3-2015	LD	APPROVED BY	CHECKED BY	DRAWN BY	UNIT	MM	SCALE	NONE	
	.XX = ±0.25mm	A2	3-19-2014	LD		ES	LL	LD	SHEET	1	OF	2
	.XXX = ±0.10mm	A1	3-1-2014	LD		TRIGON COMPONENTS, INC.			www.trigoncomponents.com			
	ANGULAR ±3°	REV	DATE	SIGN								