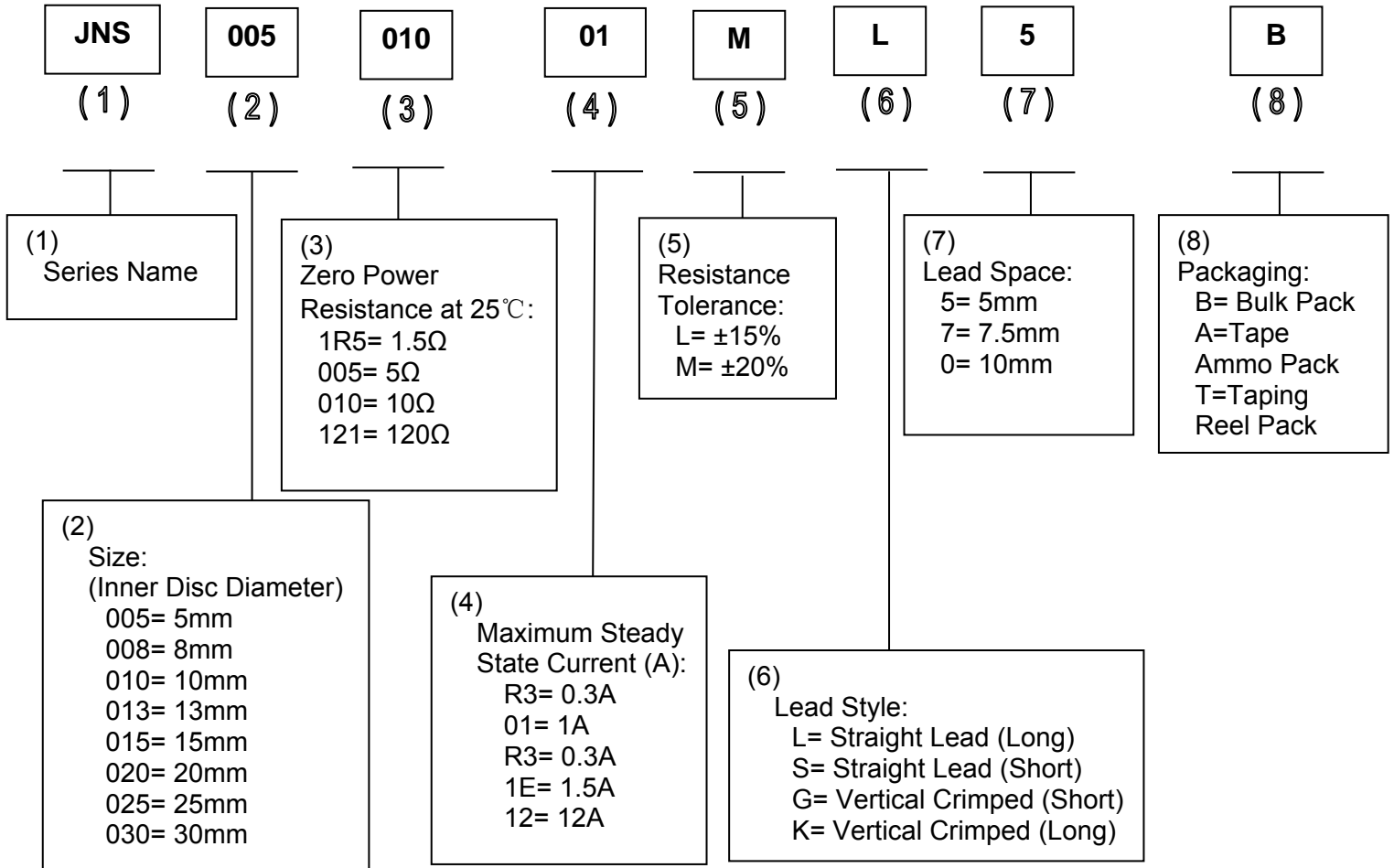


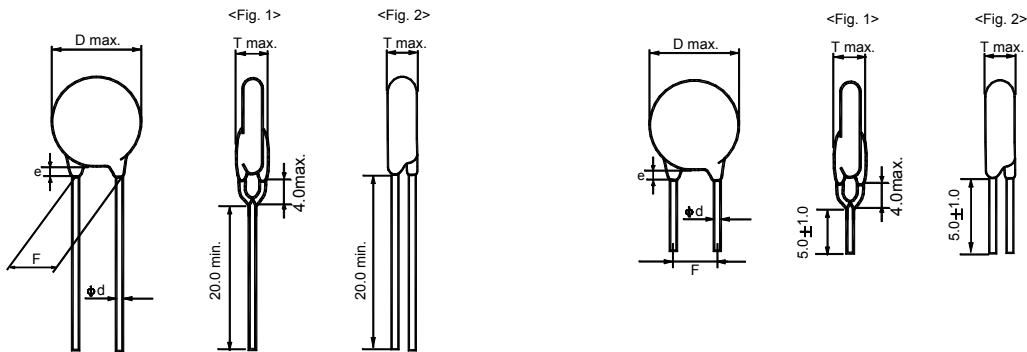
ORDERING CODE

NTC – Power Thermistor

TRIGON
COMPONENTS



■ Lead Style



L= Straight Lead (Long) ----- Fig. 2
 S= Straight Lead (Short) ----- Fig. 2
 G= Vertical Crimped (Short) ----- Fig. 1
 K= Vertical Crimped (Long) ----- Fig. 1