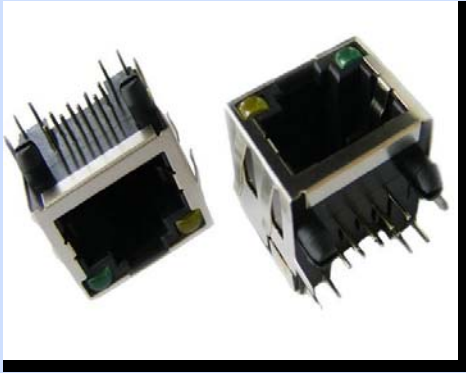


TQR Series

10/100 Base-TX and 1000 Base-T MagJack (Tab-Down) Integrated Magnetics Connectors

TRIGON
COMPONENTS



MATERIAL

- Housing: ABS Resin(UL94 V-0)
PBT(UL94 V-0)
PA46(UL94 V-0)
PA66(UL94 V-0)
- Spring Wire:
0.45mm Dia Phosphor Bronze Gold Plating Over Nickel
0.35mm Thickness Phosphor Bronze Alloy Selective Gold Plating Over Nickel
- Shield:
0.20mm Thickness Copper Alloy
- Gold Plating: Gold Flash, 6 μ ", 10 μ ", 15 μ ", 30 μ ", 50 μ "

Electrical Performance Summary

RoHS compliant

Meets Or Exceeds IEEE 802.3 Standards

High Performance For EMI Suppression

ELECTRICAL CHARACTERISTICS

- Current Rating: 1.5AMP
- Voltage Rating: 125VAC
- Insulation Resistance: 500M Ω
- Contact Resistance: 20m Ω

APPLICATIONS

- Networking: NIC, HUB, Switch, Router, Bridge etc.
- Station: PC, Printer, Server, NB, Modem etc.

ORDERING CODE

TQRG X G Y F 1 01 6
(1) (2) (3) (4) (5) (6) (7) (8)

- (1) Series/Mechanical
- (2) Ports
- (3) LED1
- (4) LED2
- (5) LED FACE
- (6) Shield/Shell Spring Tabs
- (7) Circuit
- (8) Gold Plating

※Please refer to complete
Ordering Code (TQR-Ord) for more
ordering options.

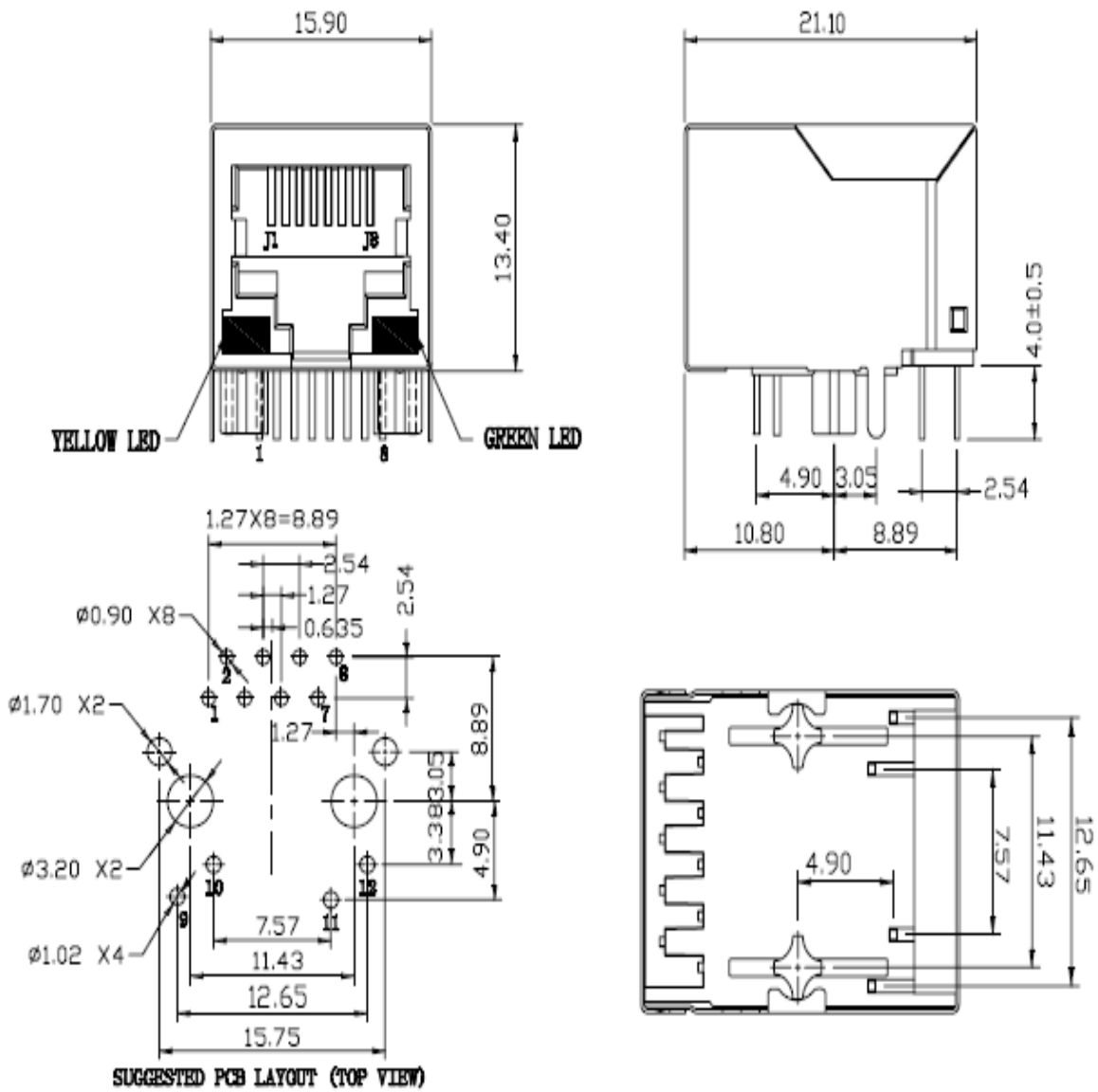
TQRX Series

Electrical Specifications @25°C - Operating Temperature 0°C to +70°C
Operating Temperature -40°C to +85°C Available up to request

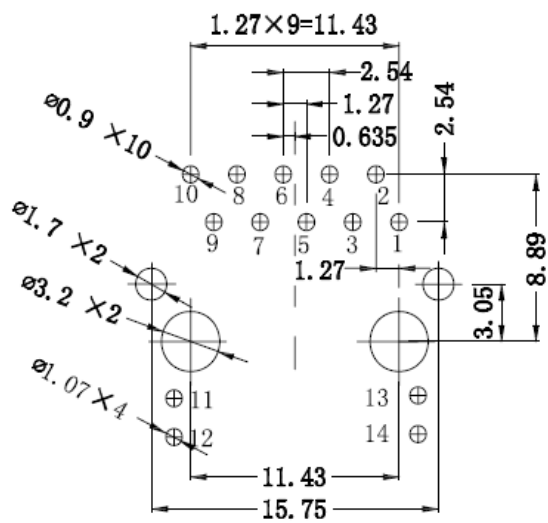
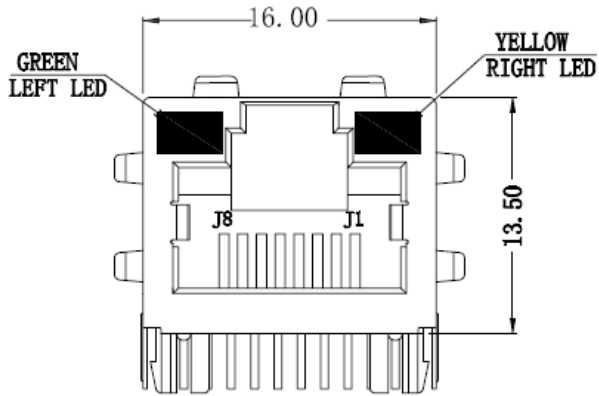
Part Number	Turns Ratios		Insertion Loss (dB typ)	Return Loss (dB typ)					Crosstalk (dB typ)	Common Mode Rejection (dB typ)	Hipot (VDC)
	TX	RX		1-100 MHz	1-30 MHz	30-60 MHz	60-80 MHz	80-100 MHz			
TQRA1XXXXXX	1CT:1	1CT:1	-1.0	-18	-14	-12	-10	-30	-30	2250	
TQRB1XXXXXX	1CT:1	1CT:1	-1.0	-18	-14	-12	-10	-30	-30	2250	
TQRC1XXXXXX	1CT:1	1CT:1	-1.0	-18	-14	-12	-10	-30	-30	2250	
TQRD1XXXXXX	1CT:1	1CT:1	-1.0	-18	-14	-12	-10	-30	-30	2250	
TQRF1XXXXXX	1CT:1	1CT:1	-1.0	-18	-14	-12	-10	-30	-30	2250	
TQRG1XXXXXX	1CT:1	1CT:1	-1.0	-18	-14	-12	-10	-30	-30	2250	
TQRS1XXXXXX	1CT:1	1CT:1	-1.0	-18	-14	-12	-10	-30	-30	2250	
TQRSA1XXXXX	1CT:1	1CT:1	-1.0	-18	-14	-12	-10	-30	-30	2250	
TQRL1XXXXXX	1CT:1	1CT:1	-1.0	-18	-14	-12	-10	-30	-30	2250	
TQRVA1XXXXX	1CT:1	1CT:1	-1.0	-18	-14	-12	-10	-30	-30	2250	

Trigon Components reserves the rights for revising the content of this catalog without further notification.

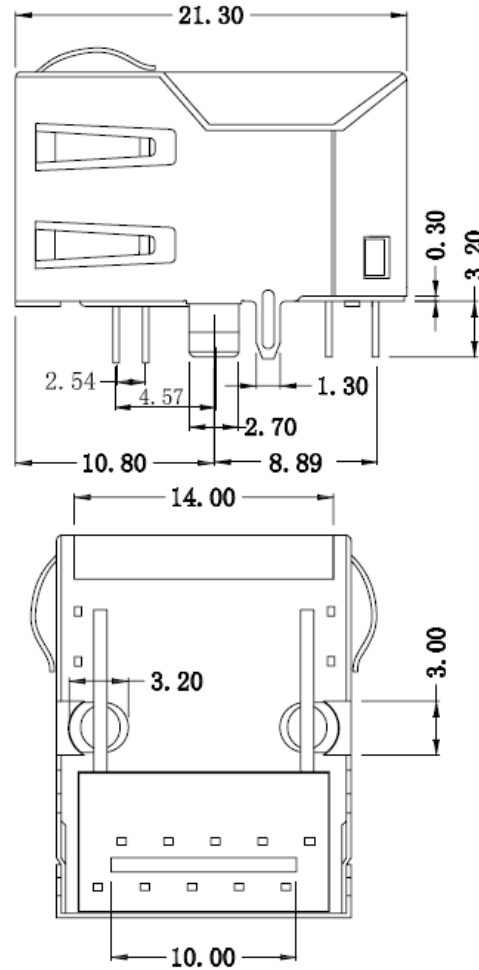
TQRA1 Series



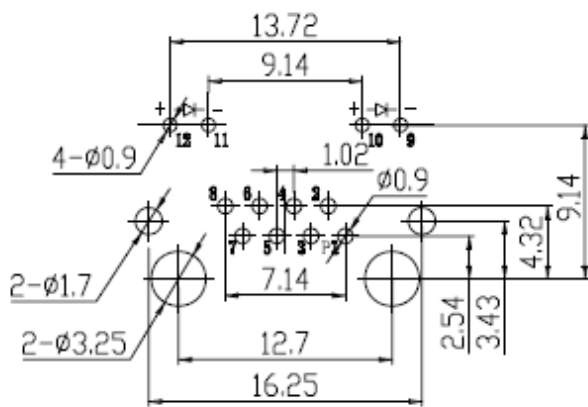
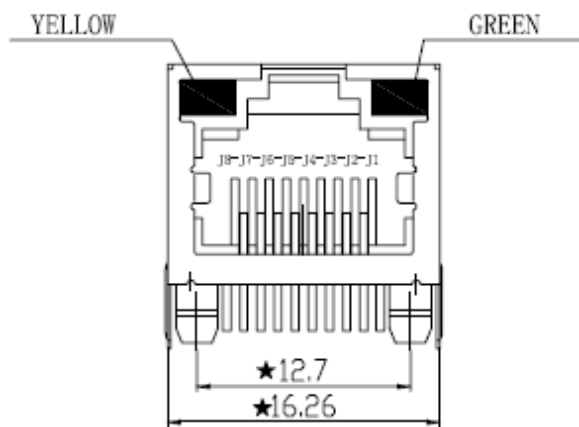
TQRB1 Series



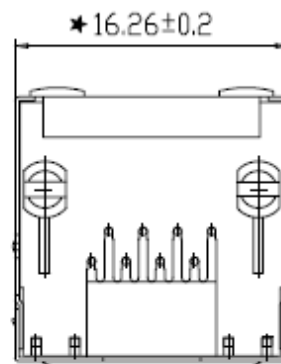
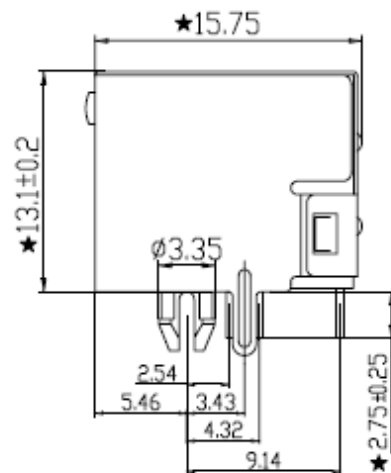
SUGGESTED PCB LAYOUT(TOP VIEW)



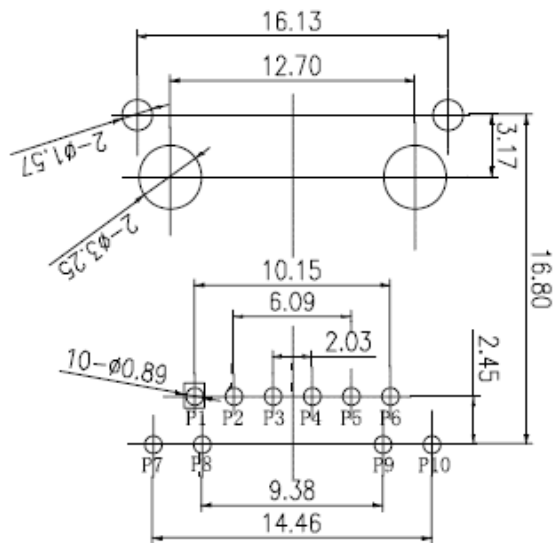
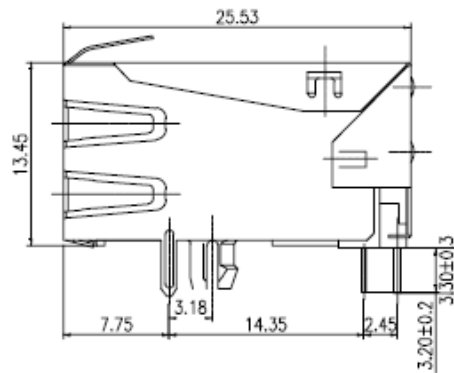
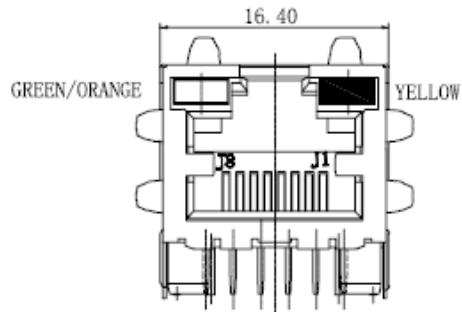
TQRC1 Series



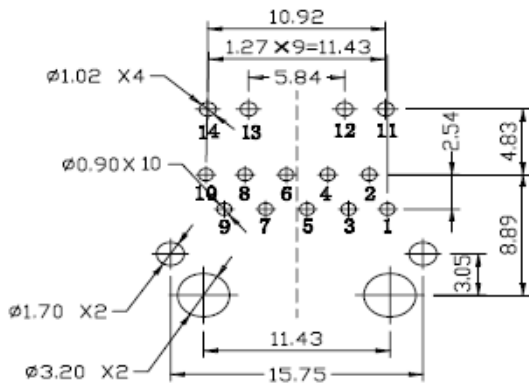
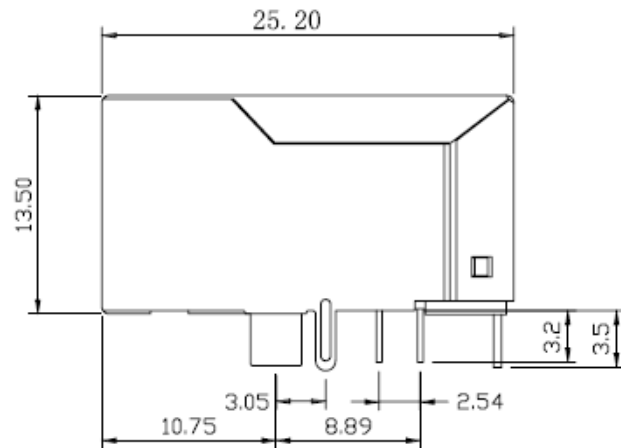
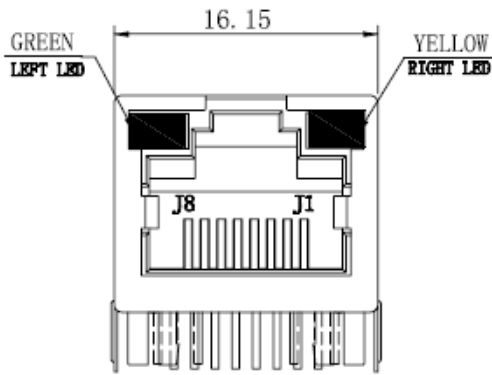
PC Board Layout



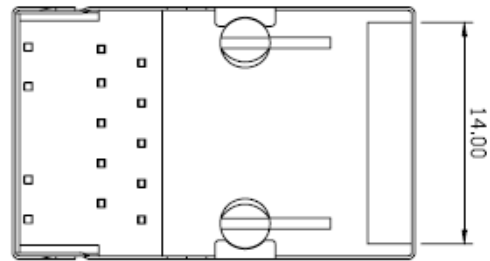
TQRD1 Series



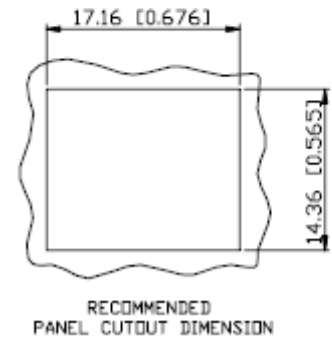
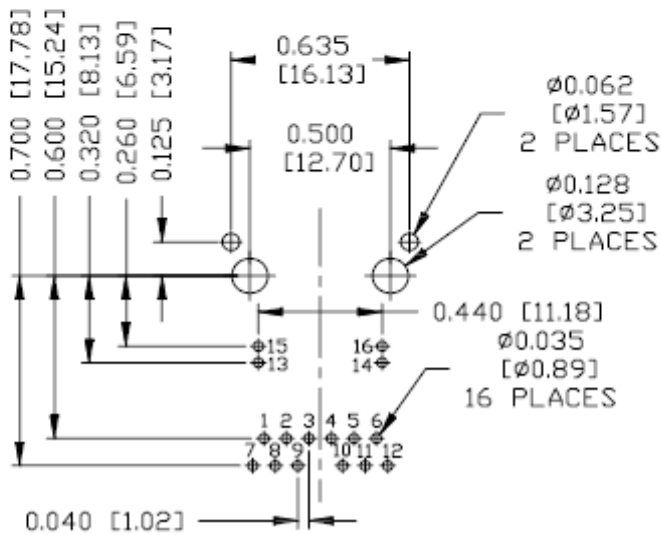
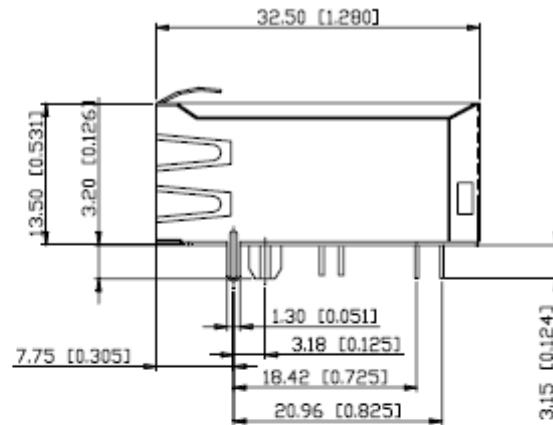
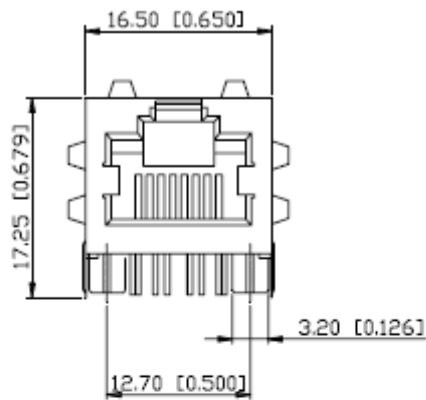
TQRF1 Series



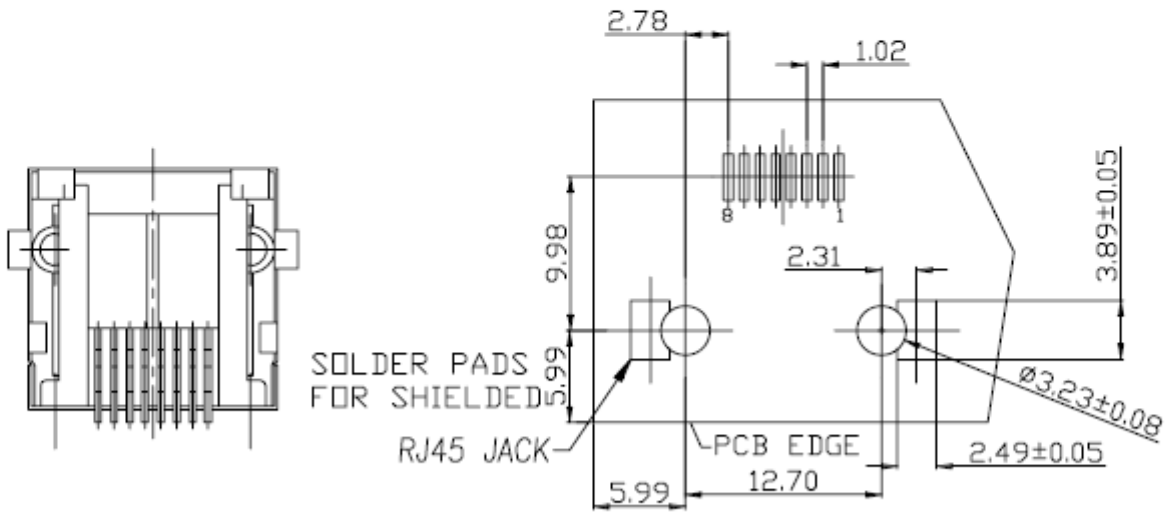
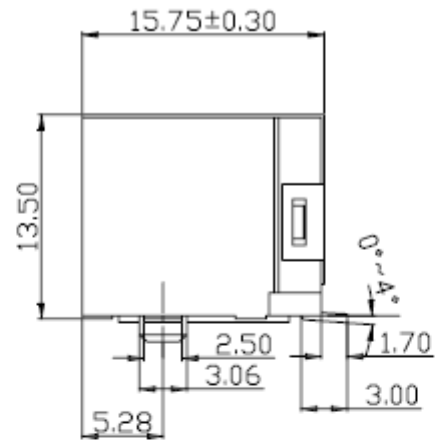
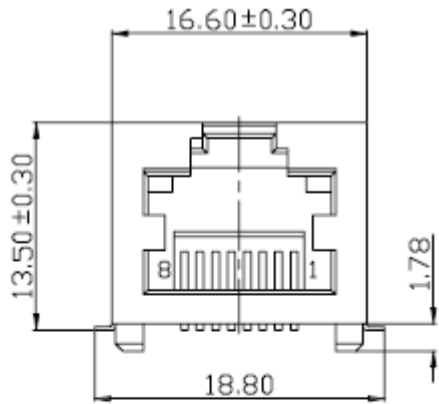
SUGGESTED PCB LAYOUT(TOP VIEW)



TORG1 Series

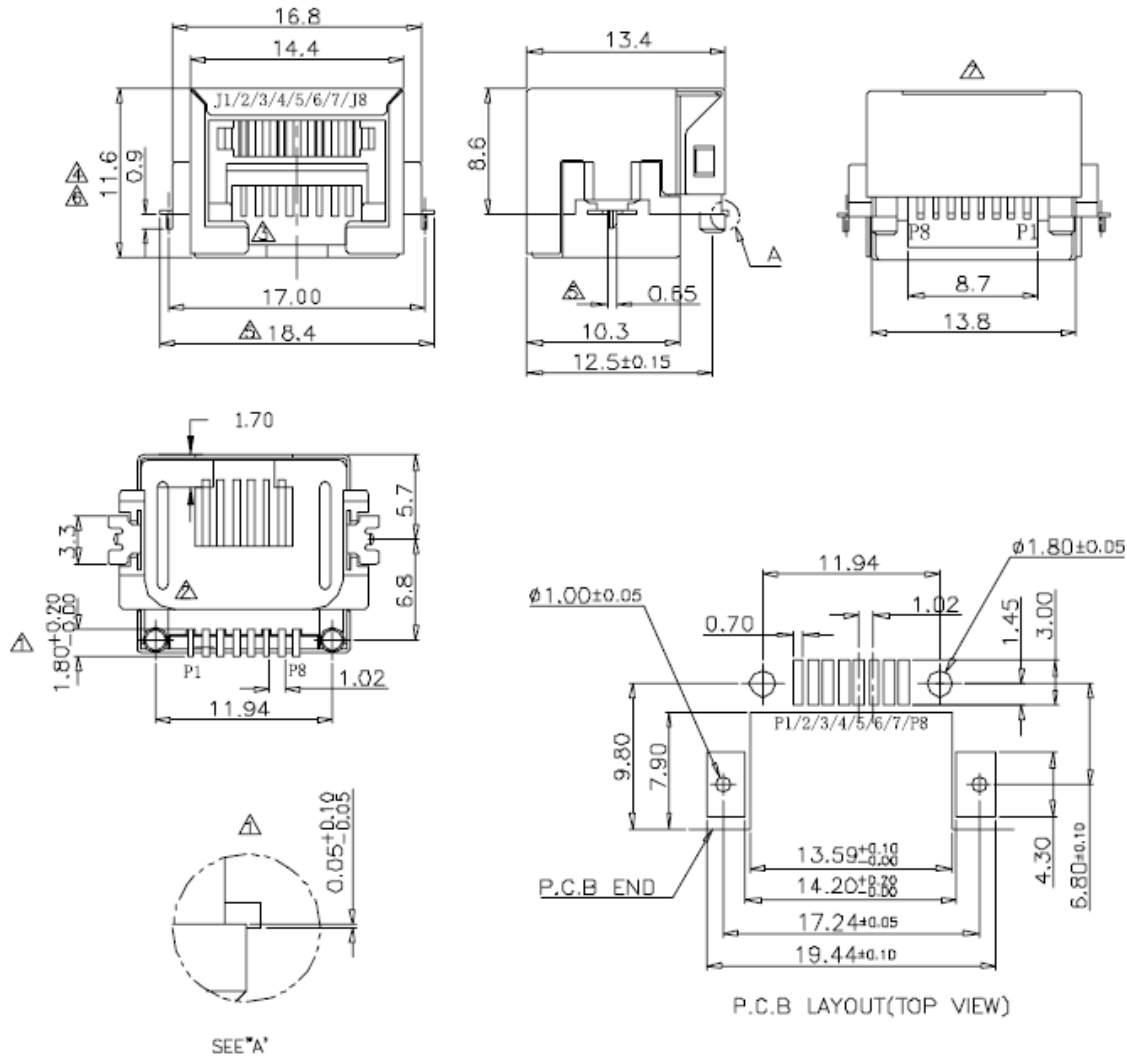


TQRS1 Series



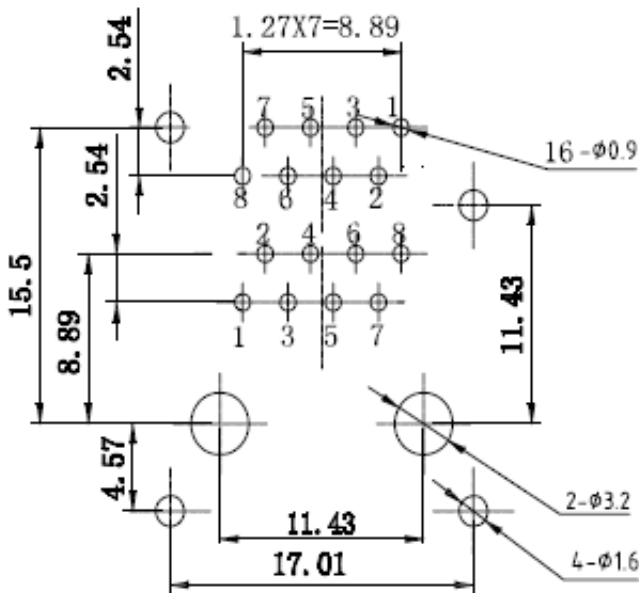
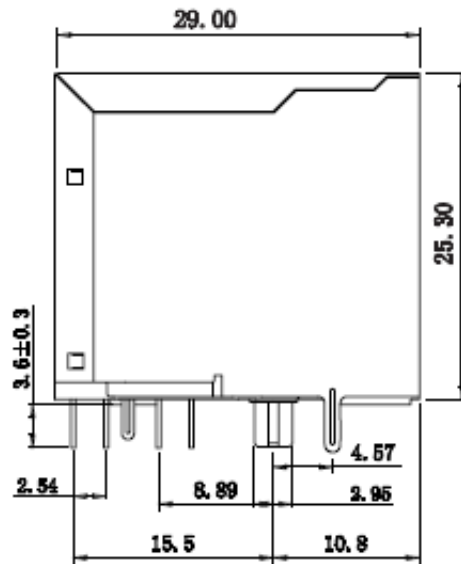
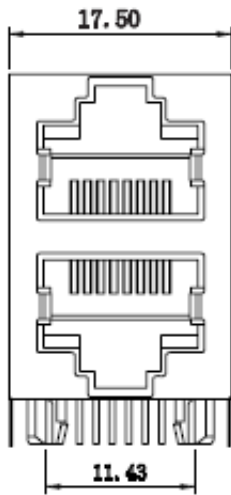
SUGGESTED PCB LAYOUT
(COMPONENT SIDE)

TQRSA1 Series



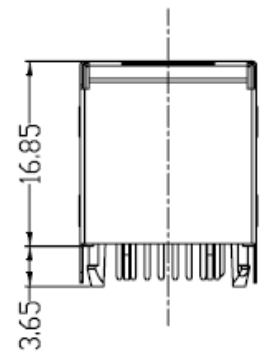
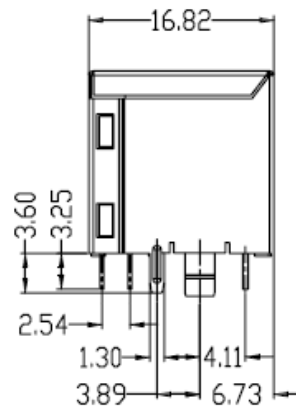
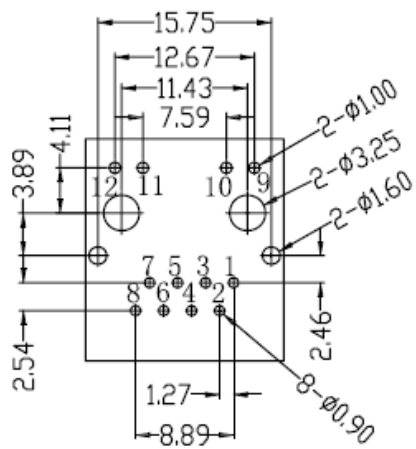
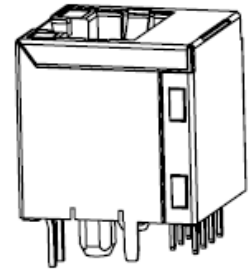
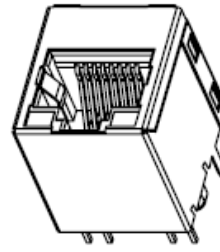
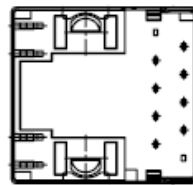
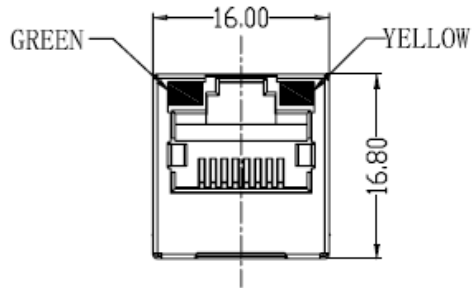
TQRL1 Series

TRIGON
COMPONENTS



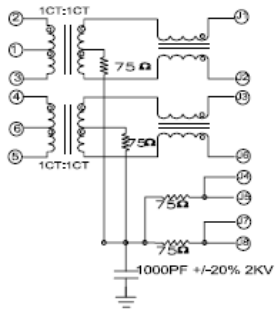
TORVA1 Series

TRIGON
COMPONENTS

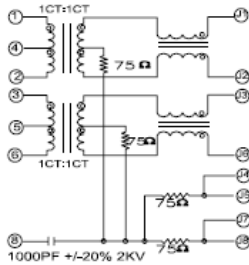


TORX Series

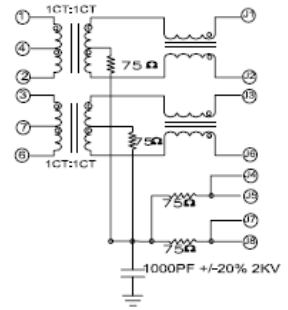
Electrical Schematics 10/100 Base-TX Typical Circuit



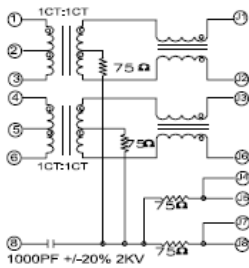
01



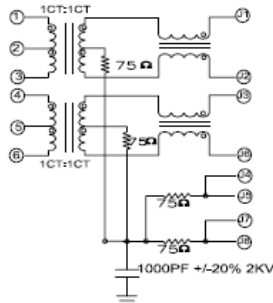
02



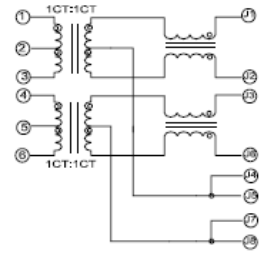
03



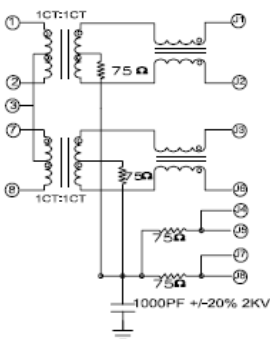
04



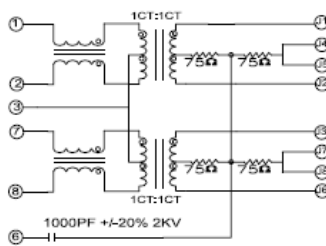
05



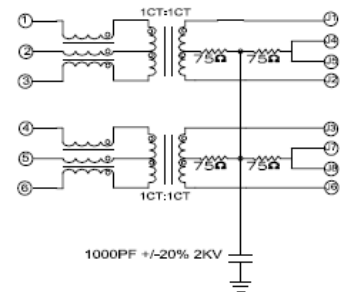
06



07



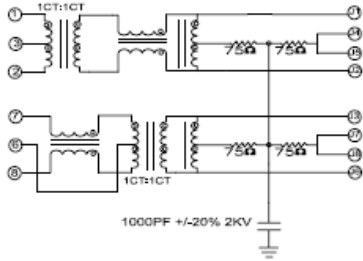
08



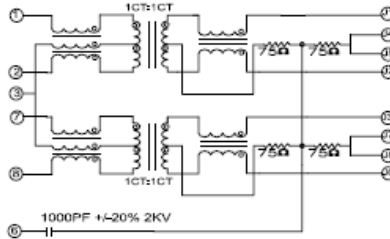
09

TORX Series

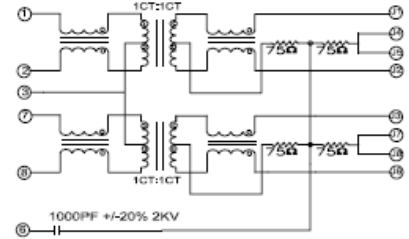
Electrical Schematics 10/100 Base-TX Typical Circuit



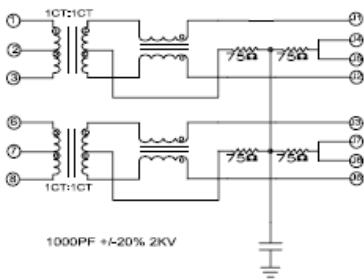
10



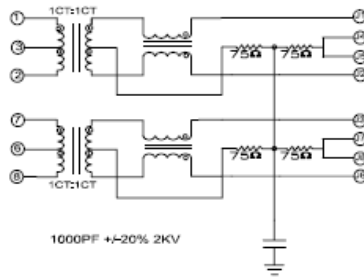
11



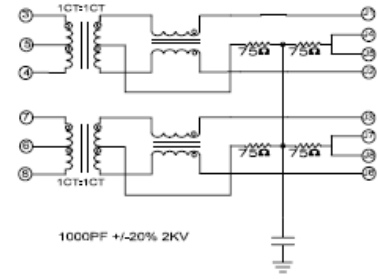
12



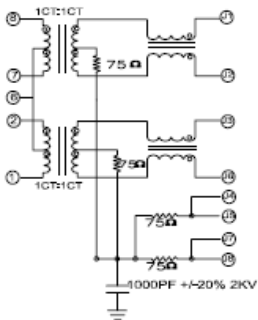
13



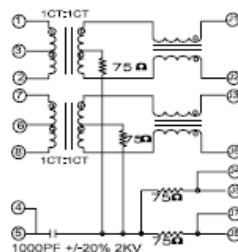
14



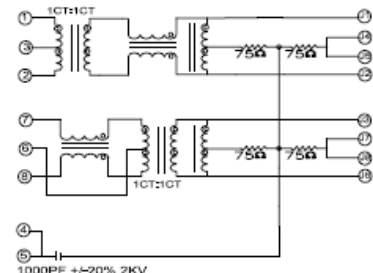
15



16



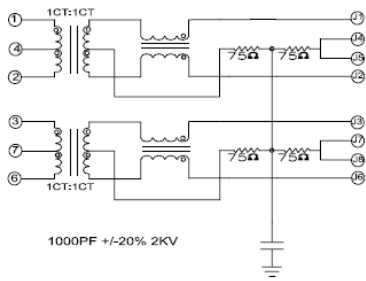
17



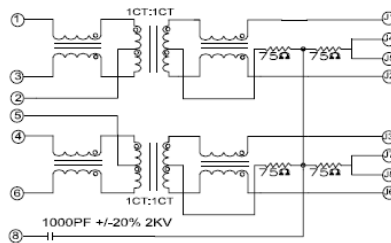
18

TORX Series

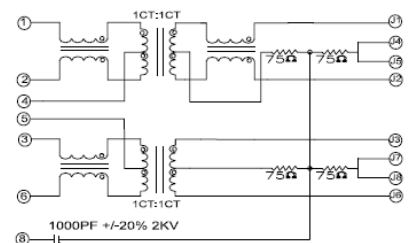
Electrical Schematics 10/100 Base-TX Typical Circuit



19

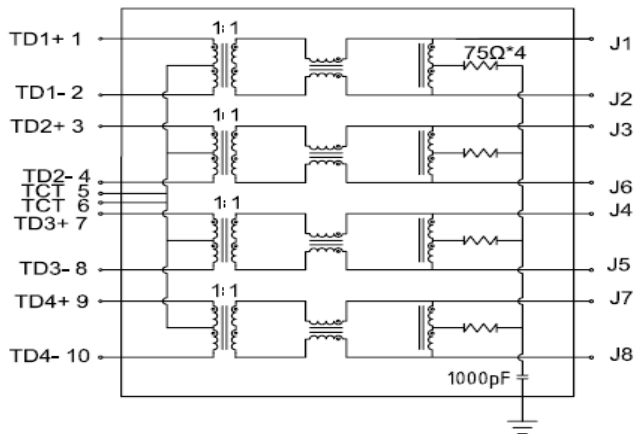


20

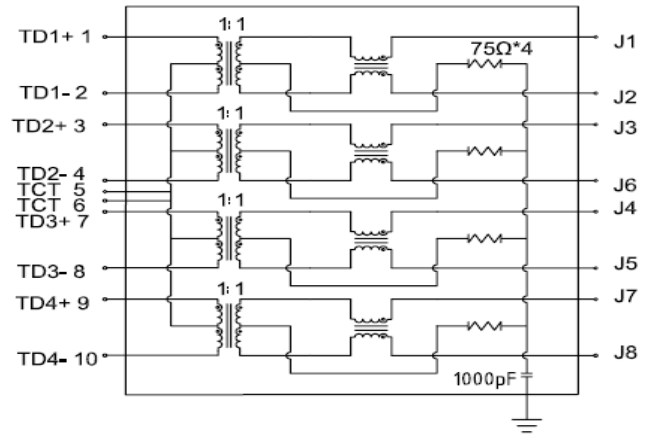


21

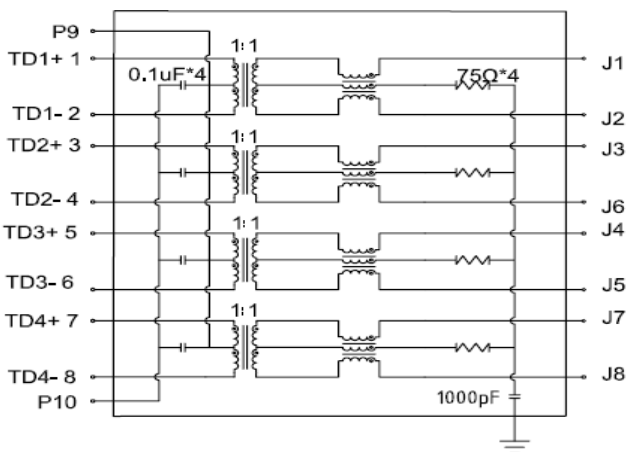
Electrical Schematics 1000 Base-T Typical Circuit



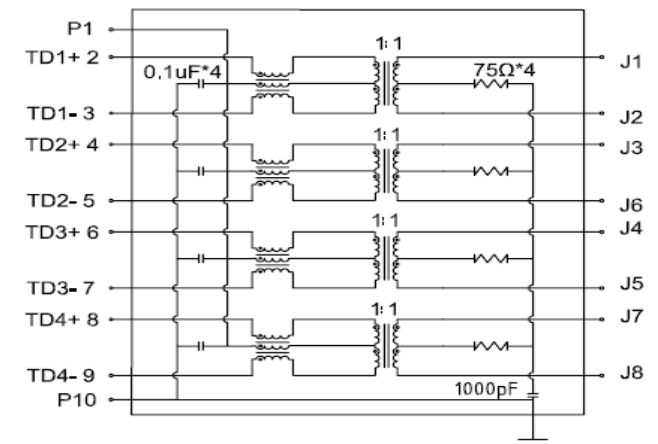
22



23



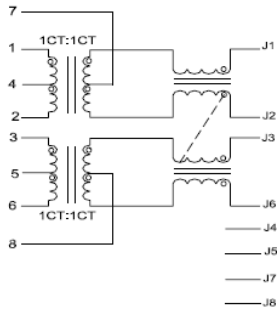
24



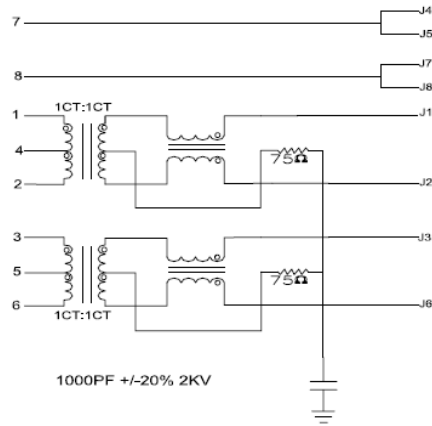
25

TQRX Series

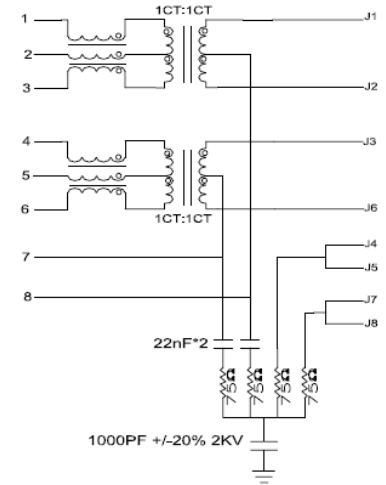
Electrical Schematics 10/100 Base-TX With PoE Typical Circuit



26

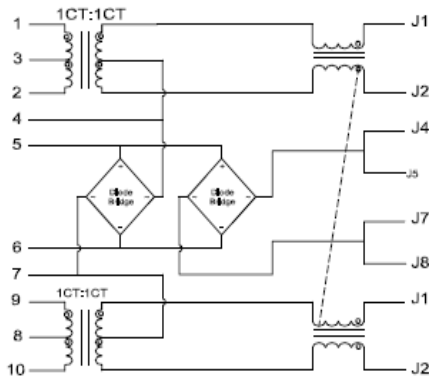


27

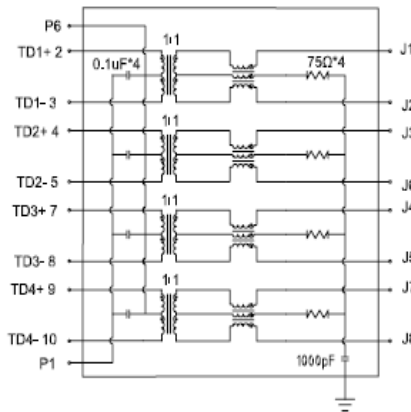


28

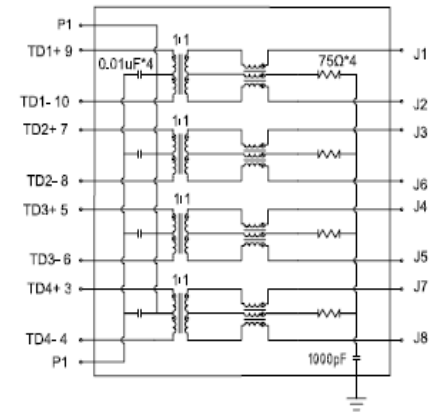
Electrical Schematics 10/100 Base-TX With PoE Typical Circuit



29



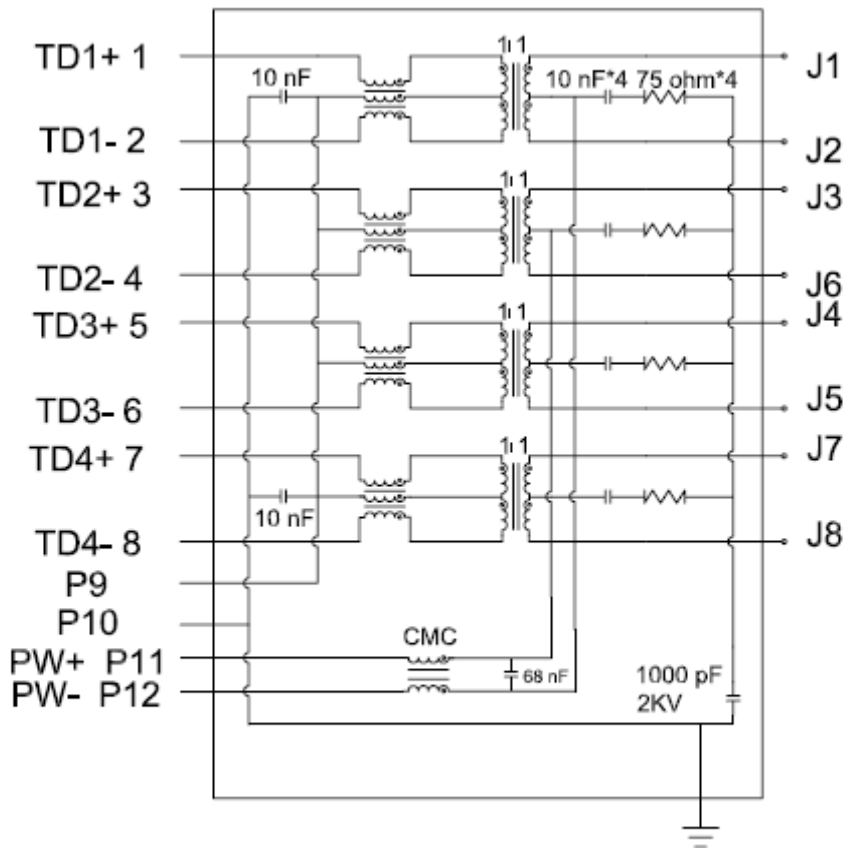
30



31

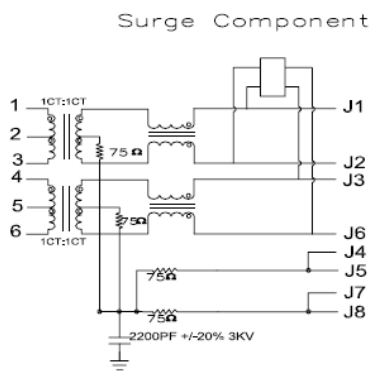
TORX Series

Electrical Schematics 1000 Base-T With PoE Typical Circuit

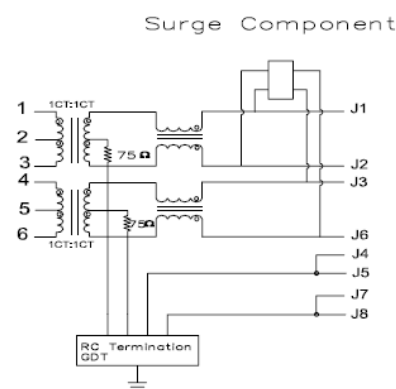


32

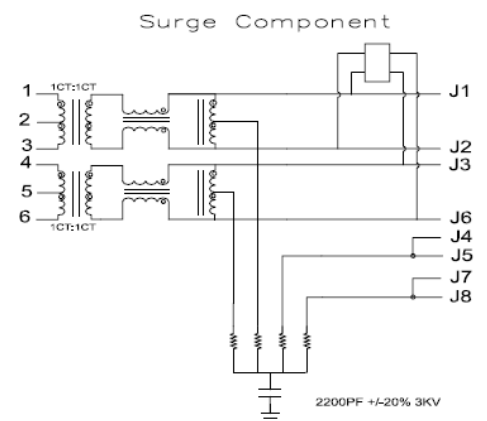
Electrical Schematics 10/100 Base-TX With Surge Protection Typical Circuit



33

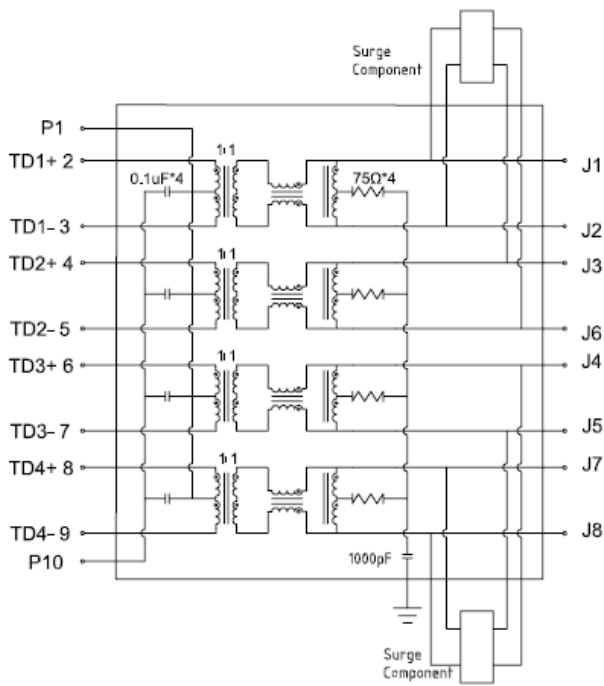


34

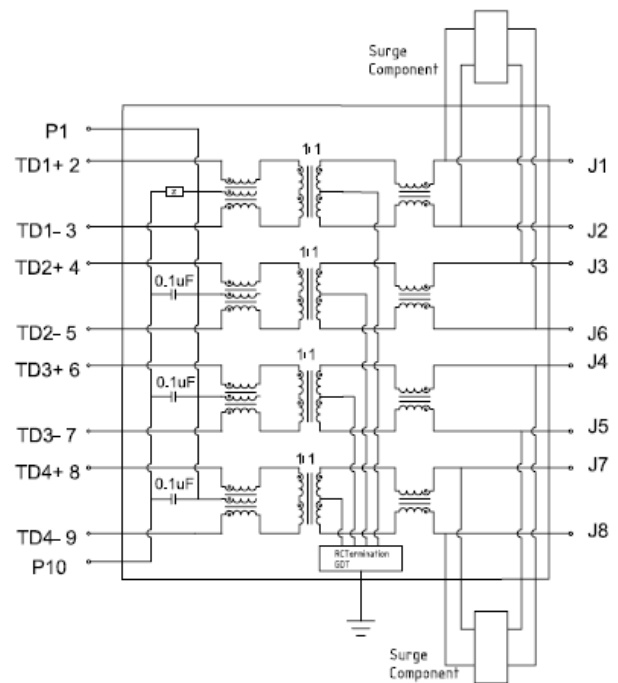


35

Electrical Schematics 1000 Base-T With Surge Protection Typical Circuit

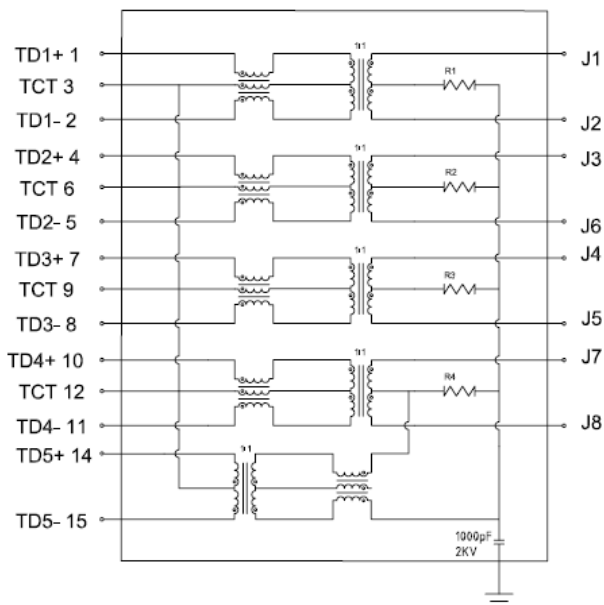


36

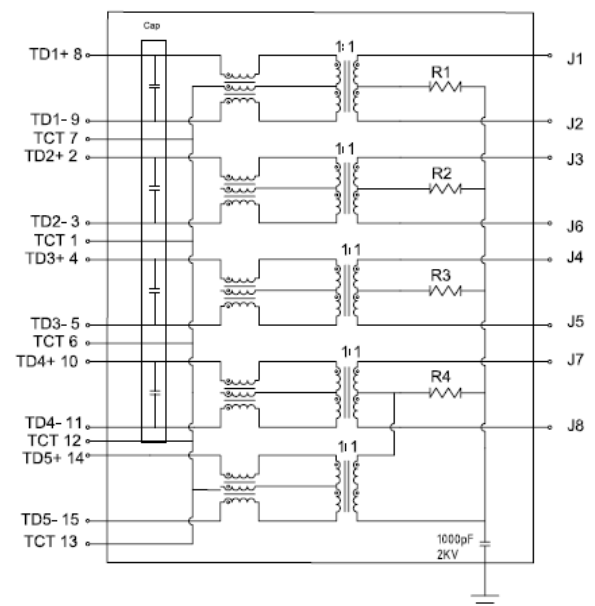


37

Electrical Schematics 10G Base-T Typical Circuit



38



39