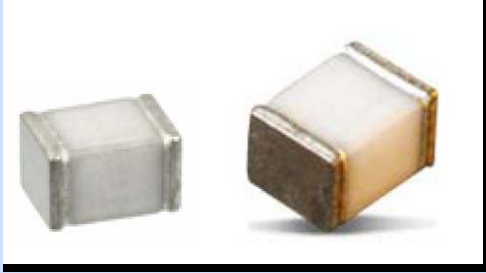


GTAC Series

Chip Surface Mount Gas Discharge Tube Arrestor – 1206, 1812

TRIGON
COMPONENTS



FEATURES

1. RoHS & HF compliant
2. SMD Structure
3. DC Spark-over voltage: 75~600V
4. Low Capacitance
5. Agency Recognition: UL
6. Operating temperature: -30°C ~ +85°C
7. Storage temperature: -40°C ~ +115°C

Recommended Applications

1. Cable Modem
2. xDSL
3. Set-Top Box
4. TV sets
5. Ethernet port
6. Consumer electronics

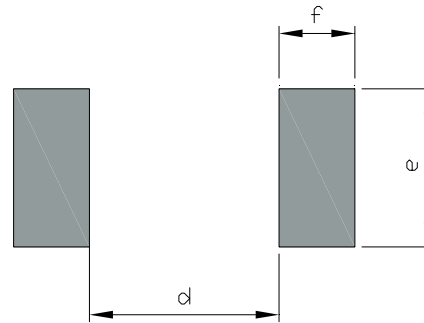
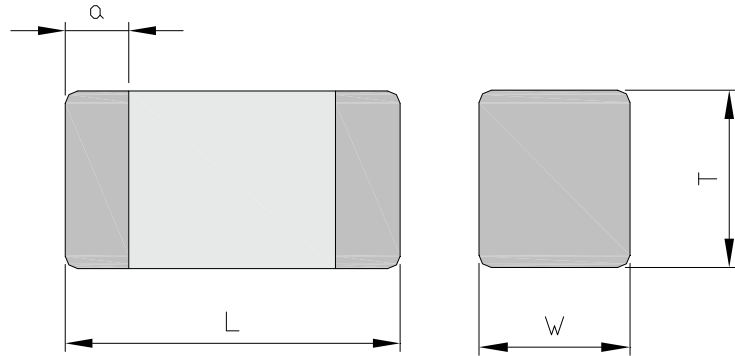
ORDERING CODE

GTAC 1206 N 201 T
(1) (2) (3) (4) (5)

- (1) Series Name
- (2) Size
- (3) DC Spark-over Vol. Tolerance
N: ±30%
- (4) DC Spark-over Voltage
- (5) Packing Type

※ Please refer to complete Ordering Code GTAC-Ord for more ordering options.

Structure and Dimensions



Recommended Pad Size

DIMENSIONS (mm)

Model	L	W	T	a (Min)	d (Ref.)	e (Ref.)	f (Ref.)
GTAC1206	3.2±0.2	1.6±0.2	1.6±0.2	0.3	1.8	2.0	1.0
GTAC1812	4.5±0.3	3.2±0.3	2.7±0.3	0.4	3.0	4.2	1.5

Gas Discharge Tube

GTAC Series

Chip Surface Mount Gas Discharge Tube Arrestor – 1206, 1812

TRIGON
COMPONENTS

Electrical Characteristics (1206)

Part No.	DC Spark-over Voltage 100V/S (V)	Max. Impulse Discharge Current	Normal Alternating Discharge Current	Impulse Life	Minimum Insulation Resistance (MΩ)	Maximum Capacitance 1MHz (pF)
		8/20μs	50Hz, 1Sec	8/20s,50A		
		(A)	(A)	(Times)		
GTAC1206N121T	84~156	500A (Positive/ Negative 5 Times)	0.5A 10 Times	300	100M Ω Min (DC 50V)	0.3
GTAC1206N151T	105~206					
GTAC1206N201T	140~260					
GTAC1206N231T	161~299					
GTAC1206N301T	210~390					
GTAC1206N351T	245~455					
GTAC1206N401T	280~520					
GTAC1206N421T	294~546					
GTAC1206N471T	329~611					
GTAC1206N501T	350~650					
GTAC1206N601T	420~780					

Gas Discharge Tube

GTAC Series

Chip Surface Mount Gas Discharge Tube Arrestor – 1206, 1812

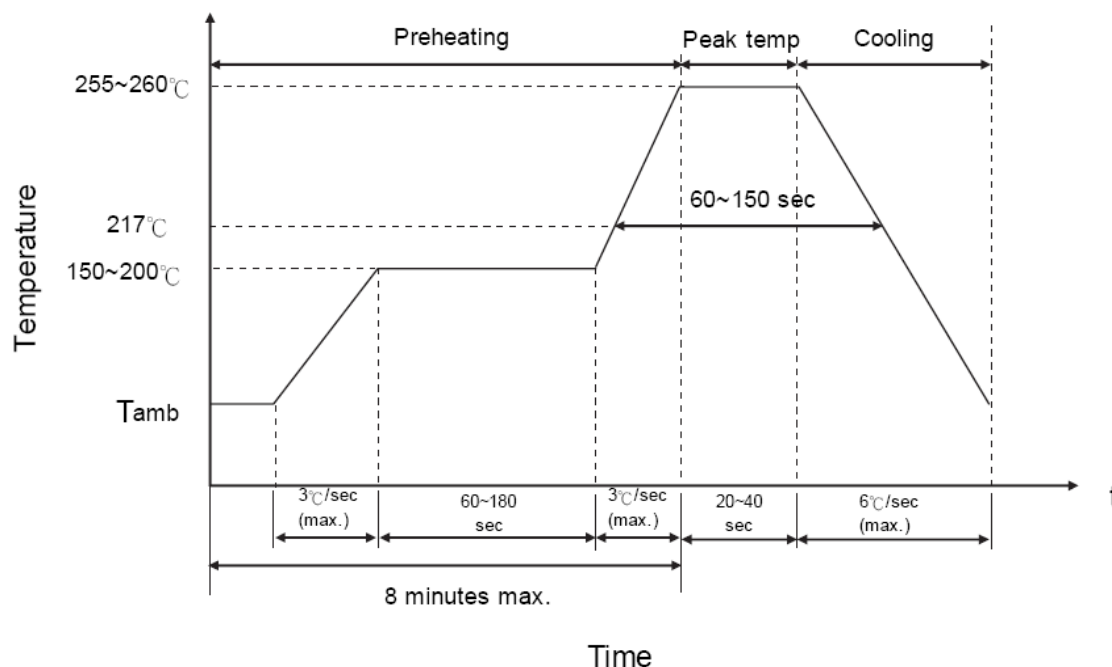
TRIGON
COMPONENTS

Electrical Characteristics (1812)

Part No.	DC Spark-over Voltage 100V/S (V)	Max. Impulse Discharge Current	Impulse Withstanding Voltage Capacity	Impulse Life	Minimum Insulation Resistance (MΩ)	Maximum Capacitance 1MHz (pF)
		8/20μs		8/20s, 100A		
		(A)		(Times)		
GTAC1812N750T	55~95	2KA (Positive/ Negative 5 Times)	10/700us 4KV (Positive/ Negative 5 Times)	300	100MΩ Min (DC 50V)	0.5
GTAC1812N900T	63~117					
GTAC1812N121T	84~156					
GTAC1812N151T	105~206					
GTAC1812N201T	140~260					
GTAC1812N231T	161~299					
GTAC1812N301T	210~390					
GTAC1812N351T	245~455					
GTAC1812N401T	280~520					
GTAC1812N421T	294~546					
GTAC1812N471T	329~611					
GTAC1812N501T	350~650					
GTAC1812N601T	420~780				100MΩ Min (DC 100V)	

Gas Discharge Tube

Soldering Recommendation IR-reflow Soldering Profile



Recommended Reworking Conditions with Soldering Iron

Item	Conditions
Temperature of Soldering Iron-tip	360°C (max.)
Soldering Time	3 sec. (max.)
Diameter of Soldering Iron-tip	Φ3mm (max.)
Caution: Please do not touch the component surface with soldering iron directly to avoid its damage.	

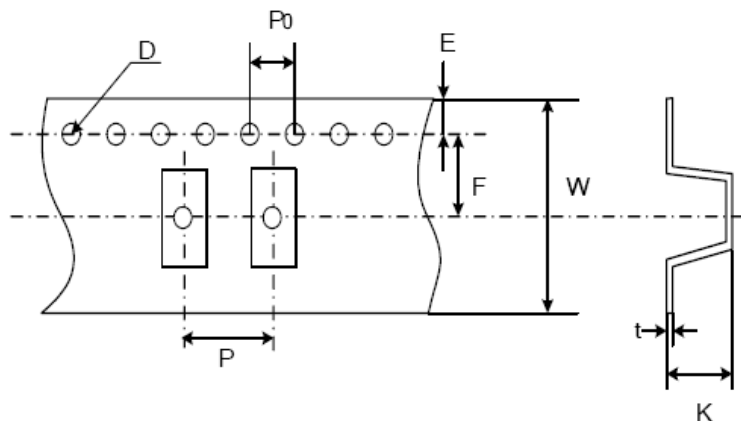
GTAC Series

Chip Surface Mount Gas Discharge Tube Arrestor – 1206, 1812

TRIGON
COMPONENTS

Package (1206) Taping Specification

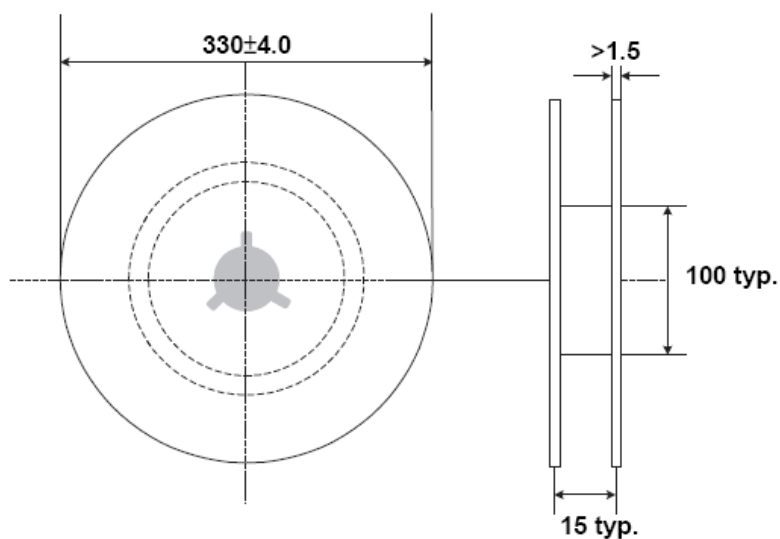
- Taping



Quantity: 3,000pcs per reel (13")

(Unit: mm)

ITEM	P	P0	W	F	E	D	K	t
Spec.	8.0	4.0	12.0	5.45	1.75	Φ1.55	2.0	0.3
Tolerance	±0.1	±0.1	±0.3	±0.1	±0.1	±0.05	±0.1	±0.05



Gas Discharge Tube

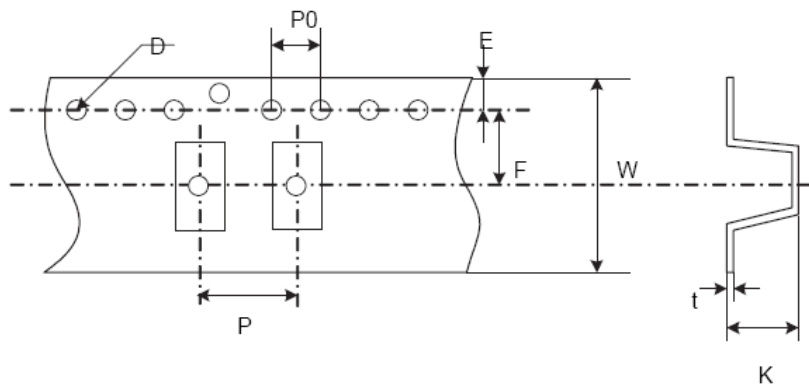
GTAC Series

Chip Surface Mount Gas Discharge Tube Arrestor – 1206, 1812

TRIGON
COMPONENTS

Package (1812) Taping Specification

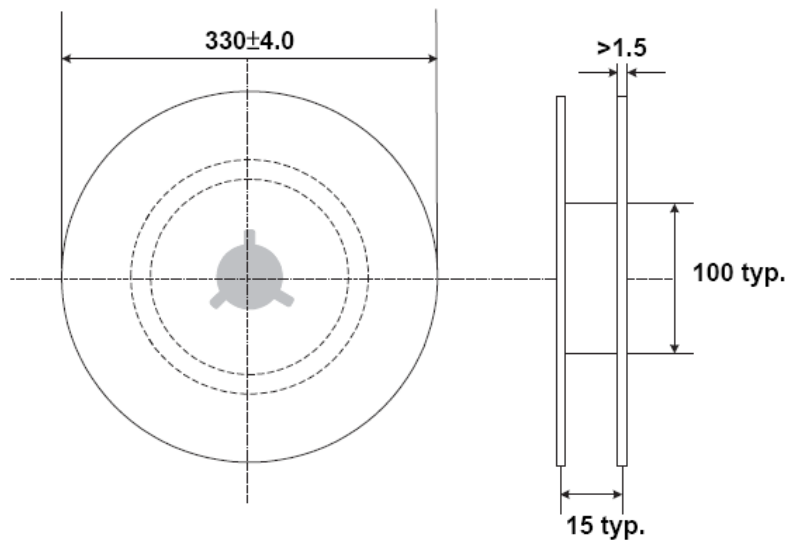
- Taping



Quantity: 2,500pcs per reel (13")

Unit: mm

ITEM	P	P0	W	F	E	D	K	t
Spec.	8.0	4.0	12.0	5.45	1.75	Φ1.55	3.1	0.4
Tolerance	±0.1	±0.1	±0.3	±0.1	±0.1	±0.05	±0.1	±0.05



Gas Discharge Tube