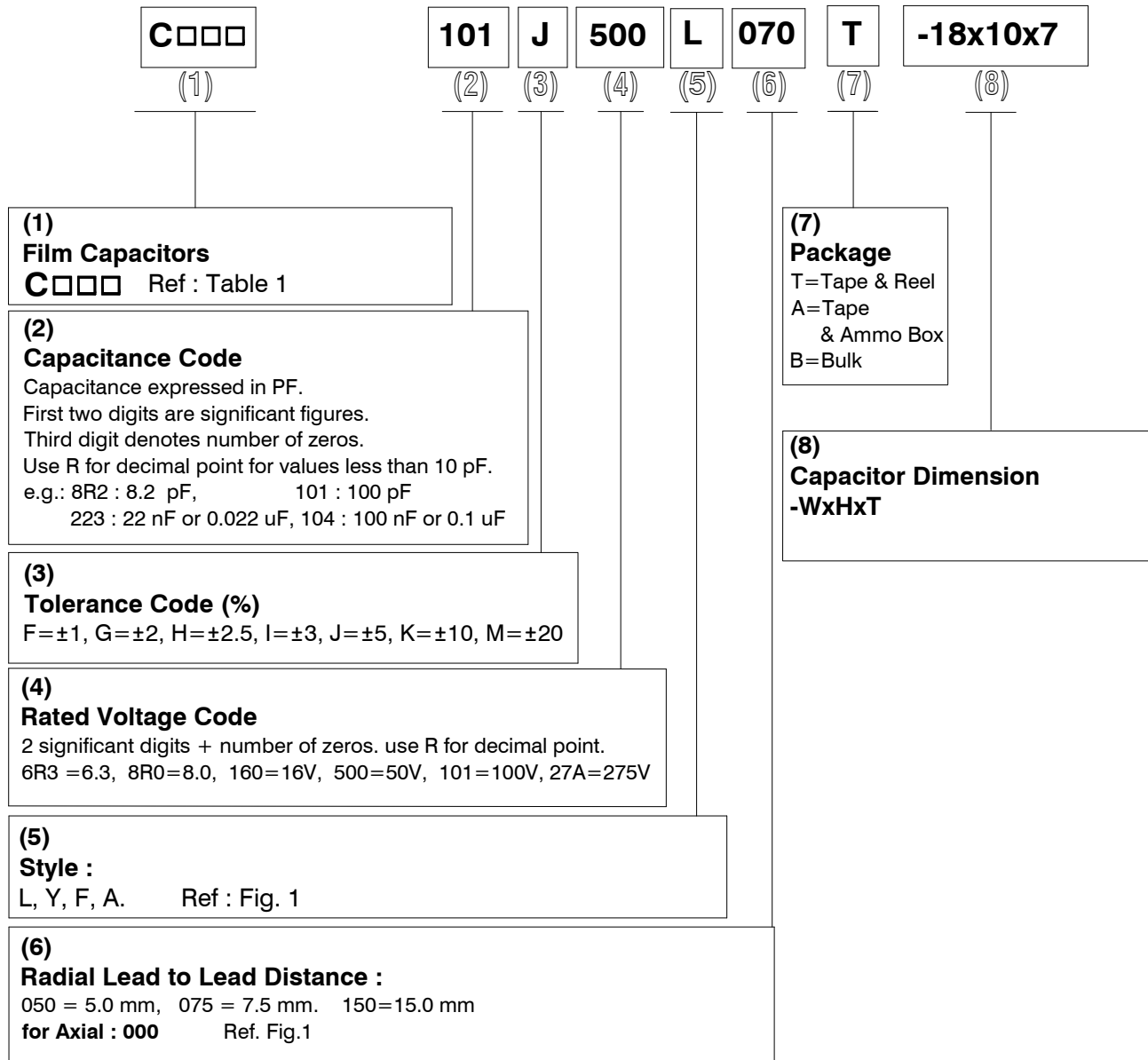


ORDERING CODE

Film Capacitors

TRIGON
COMPONENTS



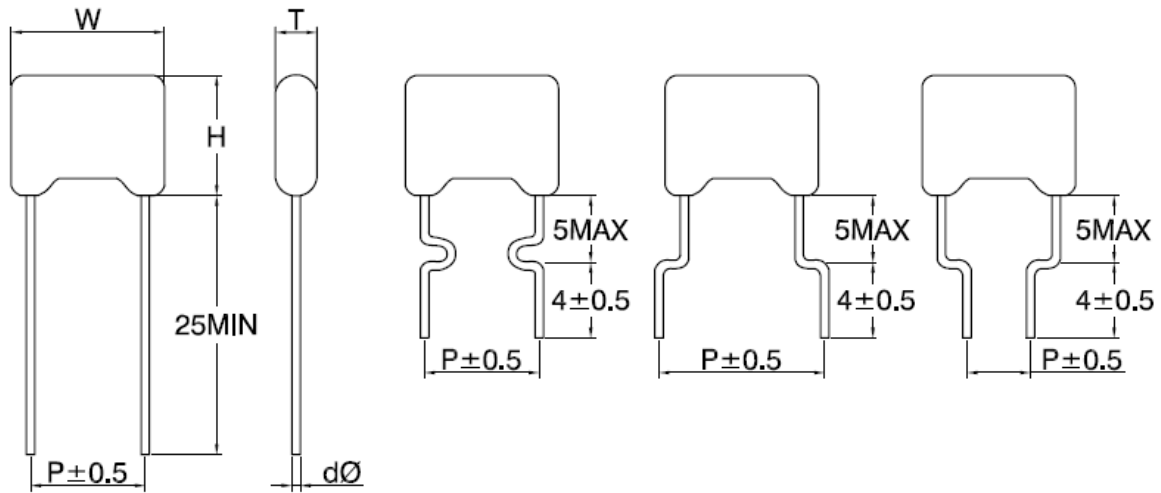
Capacitor

ORDERING CODE

Film Capacitors

TRIGON
COMPONENTS

1. RADIAL



L Style

Y Style

F Style

F Style

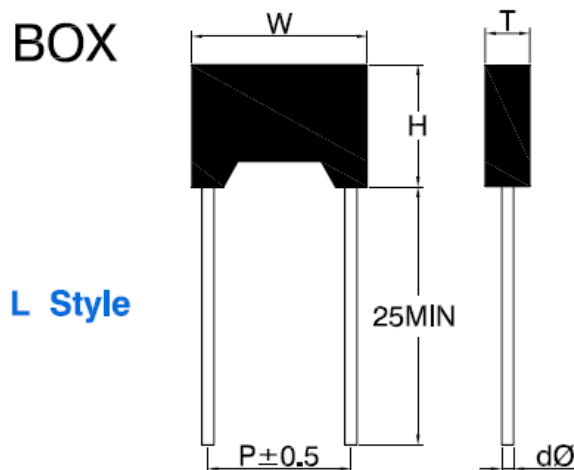
2. AXIAL



A Style

A Style

3. BOX



L Style

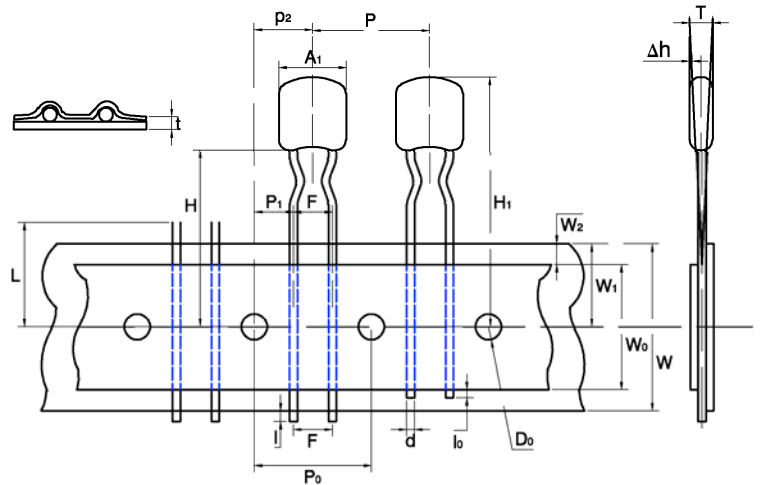
Capacitor

PACKING

Film Capacitors

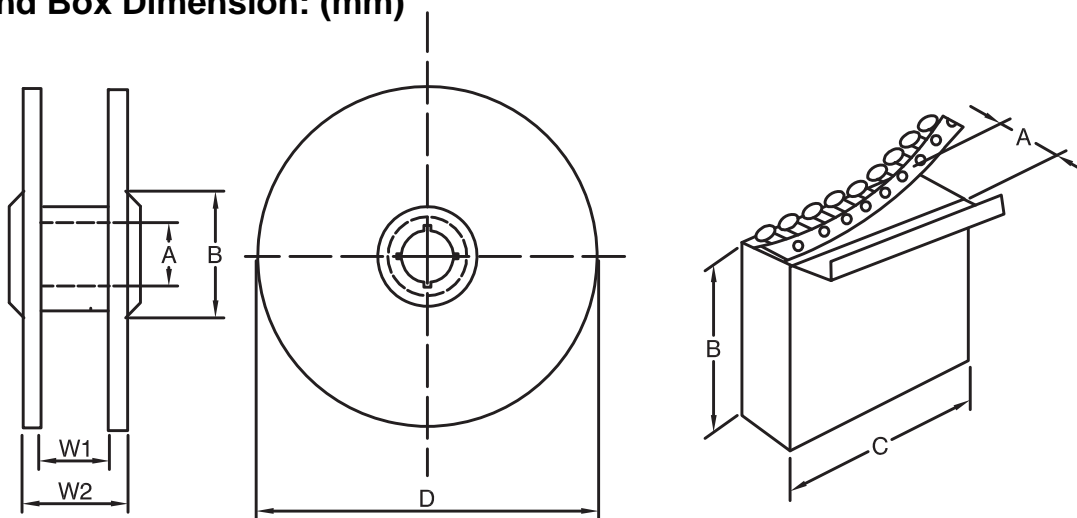
DIMENSION: Units (mm)

Symbol	Dimension	Symbol	Dimension
d	0.5 / 0.6	P ₀	12.7 ± 0.3
Δh	0. ± 1.02	P ₁	3.85 ± 0.7
H	16.0 ± 0.50	P ₂	6.35 ± 1.3
H ₁	20.5 ± 0.75	W	18.0 ^{+1.0} _{-0.5}
D ₀	4.0 ± 0.3	W ₂	Under 3
P	12.70 ± 1.0	W ₁	9.0 ^{+0.75} _{-0.5}
l	Under 2	W ₀	Above 12.5
t	0.7 ± 0.2	A ₁	Under 10.0
		F	5.0 ^{+0.8} _{-0.2}



Capacitor

Reel and Box Dimension: (mm)



Reel Packaging:

Ammo Box Packaging:

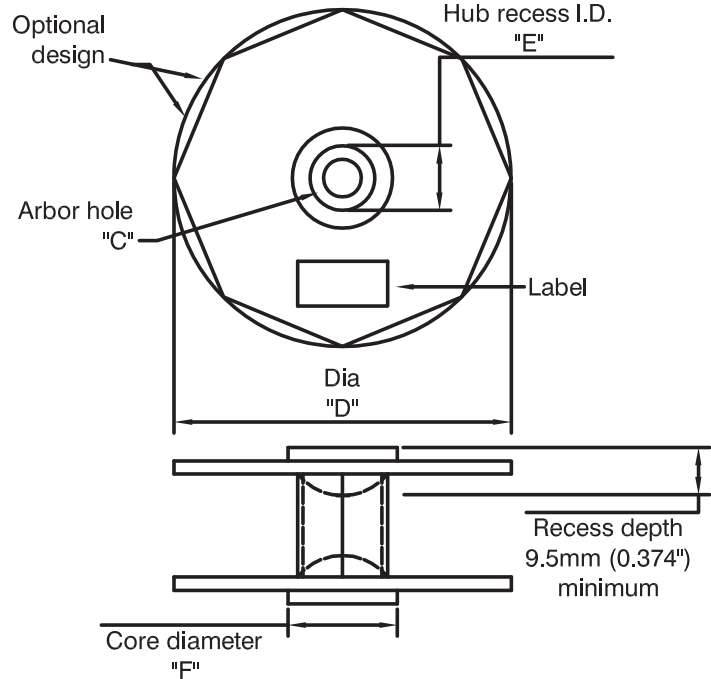
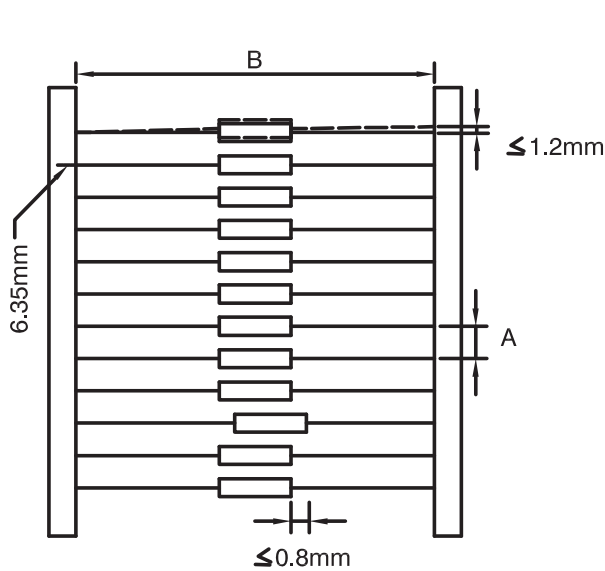
Dimensions Unit : mm	A	14 – 30	A	50 ⁺⁵ ₋₂
	B	80 MIN	B	260 + 2
	D	370 MAX	C	330 ± 2
	W1	45 ⁺⁵ ₋₂		
	W2	55 MAX		
Packing Q'TY Per Reel / Box	C ≤ 0.018	C > 0.018	C ≤ 0.022	C > 0.022
	1,500 PCS	1,000 PCS	1,500 PCS	1,000 PCS
	0.022	0.022	0.047	0.047

Notes: Dimensions may change in order to accommodate larger body capacitors. Please refer to or ask for a specification sheets to ensure correct sizing.

PACKING

Film Capacitors

TRIGON
COMPONENTS



CAPACITOR BODY DIAMETER	CAPACITOR PITCH "A" $\pm 0.5\text{mm}$ (0.020")
$\geq 5\text{mm}$ (≥ 0.197 ") 5.01 ~ 10mm (0.197 ~ 0.394") 10.01 ~ 15mm (0.394 ~ 0.591")	5mm or 0.200" 10mm or 0.400" 15mm or 0.600"

CAPACITOR BODY LENGTH	INSIDE TYPE SPACING "B" $\pm 1.5\text{mm}$ (0.059")
$\geq 16.50\text{mm}$ (≥ 0.65 ") 16.51 ~ 28.4mm (0.651 ~ 0.394") 28.46 ~ 37.00mm (1.121 ~ 1.45")	52.44mm or 2.062" 63.5 mm or 0.400" 73.0 mm or 0.600"

	C	D	E	F
EIA Std. RF Spec.	13.9~38.1mm (0.54~1.50") 14.50mm (0.570")	76.2~355.6mm (3.0~14.0") 381.0mm (15")	28.6~78.0mm (1.126~3.071") 54.2mm (2.130")	34.5~92.0mm (1.374~3.626") 61.0mm (2.401")

CAPACITOR BODY DIA.	PITCH	QUANTITY PCS/REEL
≥ 5.0 mm	6 mm	4,000 max
5.1 ~ 7.0 mm	10 mm	2,000 max
7.1 ~ 9.5 mm	10 mm	1,000 max