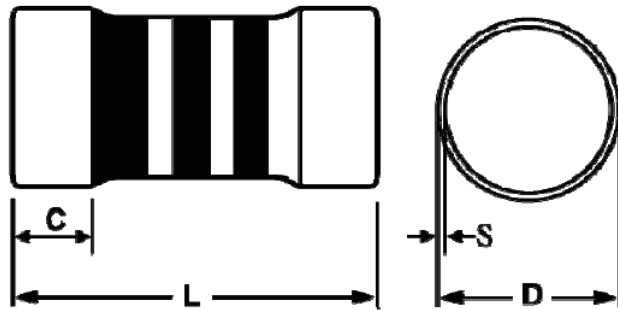


RMAS Series

Anti-Surge MELF Resistors

TRIGON
COMPONENTS



FEATURES

- Free direction for mounting due to cylindrical design.
- High solderability due to specially plated electrodes.
- Electrodes strength is higher than flat chip resistor.
- Lower current noise than thick film flat chip resistors.
- RoHS Compliant.

DIMENSIONS (mm)

STYLE	L	C	D	E	S
1/8W	2.0±0.1	0.55±0.2	1.3±0.1	0.9±0.1	0.1±0.05
1/4W	3.5±0.2	0.7±0.2	1.45±0.1	2.1±0.1	0.15±0.1
1/2W	5.7±0.2	0.8±0.2	2.2±0.1	4.1±0.2	0.2±0.1
1W	8.5±0.3	1.7±0.2	3.0±0.3	5.1±0.2	0.3±0.1
2W	10.5±0.3	2.3±0.2	4.0±0.3	5.9±0.3	0.3±0.1
3W	14.5±0.3	2.3±0.2	4.5±0.3	9.9±0.3	0.3±0.1

ORDERING CODE

RMAS 103 J DS T
(1) (2) (3) (4) (5)

(1) Series Name

(2) Resistance

3-Digit IEC Code (E-24)

(3) Tolerance

J: ±5%, K: ±10%, M: ±20%

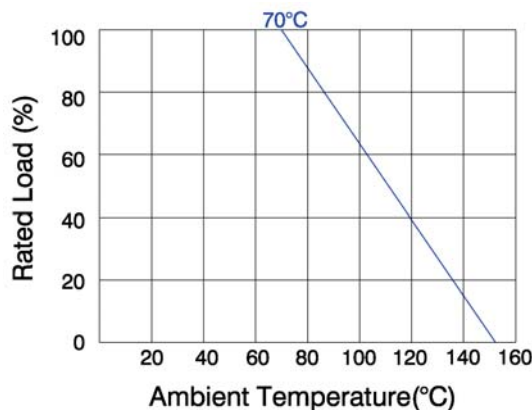
(4) Power Rating

A: 1/8W, B: 1/4W
C: 1/2W, D: 1W
E: 2W, F: 3W

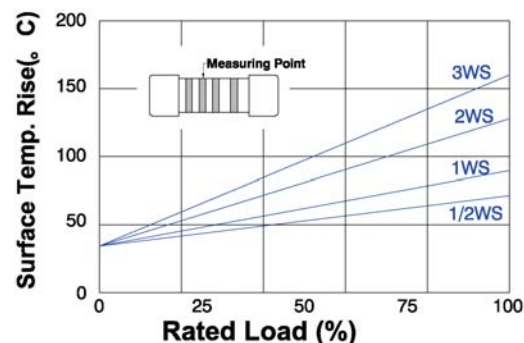
(5) Packing Style

T: Taping
B: Bulk

※Please refer to complete Ordering Code document (RMx-Ord) for more ordering options.



DERATING CURVE



SURFACE TEMP. RISE CURVE

RMAS Series

Anti-Surge MELF Resistors

TRIGON
COMPONENTS

Resistor

GENERAL SPECIFICATIONS

Type	Resistance Tolerance	Max. Surge Voltage
1/8W	±5% or ±10% or ± 20%	100V
1/4W		150V
1/2W		200V
1W		280V
2W		400V
3W		500V

ENVIRONMENTAL CHARACTERISTICS

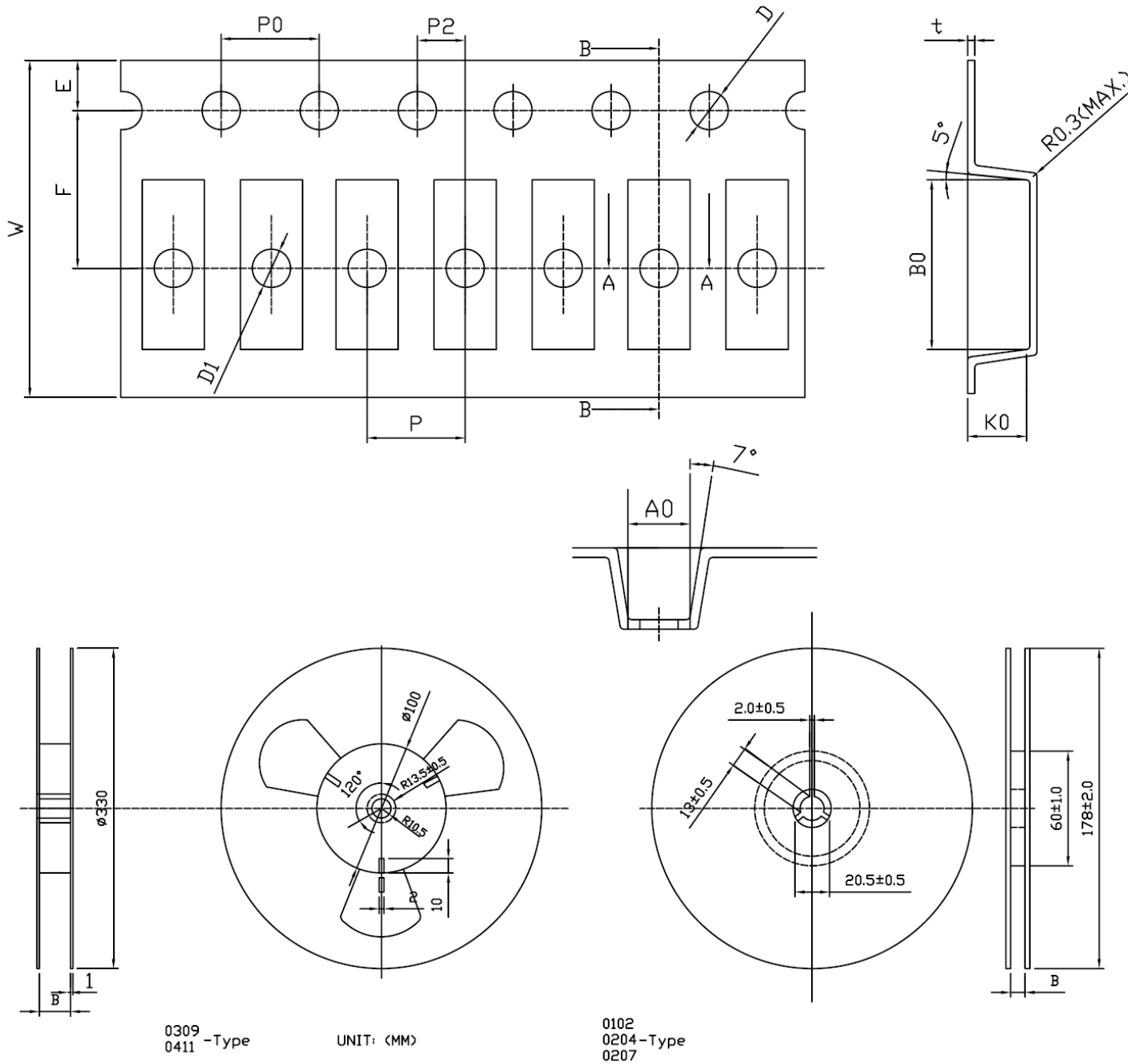
Performance Test	Test Method	Characteristics
Operating Temp. Range		+55°C ~ +155°C
Temperature Coefficient	JIS-C-5202; 5.2	±100ppm/°C, ±200ppm/°C, ±500ppm/°C, ±1000ppm/°C
Load Life in Humidity	40°C ± 2°C, 90%~95%RH, 1000h, 1.5h "on" / 0.5h "off" cycle	± 5%
Load Life	70°C ± 2°C, 1000h, 1.5h "on" / 0.5h "off" cycle	± 5%
Resistance to soldering heat	260°C ± 5°C, 5 sec ± 1 sec	± 2%
Solderability	235°C ± 5°C, 2 sec ± 0.5 sec	90% Coverage / Min
Bending Test	Holding point width 90mm, Bending 5mm, 1 time	± 1%
Anti-Surge Characteristic	<p>Voltage of $\sqrt{(2xPxRxT/ \tau)}$ at room temperature. Number of cycle : 10000 Note: $T \leq 10\text{sec}$, $T/ \tau \leq 100$.</p> <p>$V = \sqrt{(2xPxRx(T/ \tau))}$</p>	± 5%
Non-Combustibility	The resistors shall withstand Overload test in accordance With Article UL-94.V-0 without producing a fire hazard.	

RMAS Series

Anti-Surge MELF Resistors

TRIGON
COMPONENTS

PACKAGING



RMAS Series

Anti-Surge MELF Resistors

TRIGON
COMPONENTS

TYPE	RMAS-Type					
SIZE	3W	2W	1W	1/2W	1/4W	1/8W
W		24.00±0.30	16.00±0.30	12.00±0.10	8.00±0.10	8.00±0.10
P		8.00±0.10	8.00±0.10	4.00±0.10	4.00±0.10	4.00±0.10
E		1.75±0.10	1.75±0.10	1.75±0.10	1.75±0.10	1.75±0.10
F		11.5±0.10	7.50±0.10	5.50±0.05	3.50±0.05	3.50±0.05
P2		2.00±0.10	2.00±0.10	2.00±0.05	2.00±0.05	2.00±0.05
D		1.50±0.10	1.50±0.10	1.50±0.10	1.50±0.10	1.50±0.10
D1		1.50±0.10	1.50±0.10	1.50±0.10	1.50±0.10	1.50±0.10
P0		4.00±0.10	4.00±0.10	4.00±0.10	4.00±0.10	4.00±0.10
B		24.00±0.50	16.00±0.50	12.00±0.50	8.00±0.50	8.00±0.50
A0		4.20±0.10	3.30±0.10	2.40±0.10	1.60±0.10	1.50±0.10
B0		10.00±0.10	8.15±0.10	6.05±0.10	3.70±0.10	2.20±0.10
K0		4.20±0.10	3.35±0.10	2.50±0.10	1.65±0.10	1.50±0.10
t		0.35±0.05	0.35±0.05	0.30±0.05	0.22±0.05	0.22±0.05
PER REEL (PCS)		2000		2000	3000	