

ORDERING CODE

LEADED RESISTORS

TRIGON
COMPONENTS

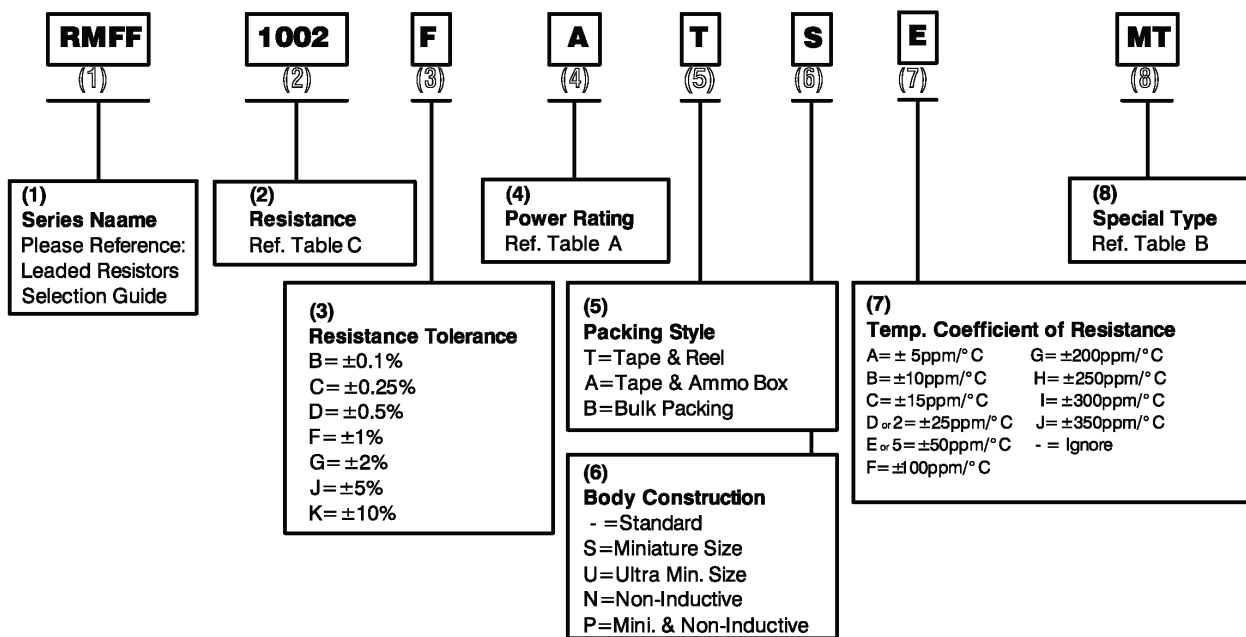


Table A - Power Rating

| symbol | Power Rating | symbol | Power Rating | symbol | Power Rating | symbol | Power Rating |
|--------|--------------|--------|--------------|--------|--------------|--------|--------------|
| A | 1/8 W | I | 6 W | Q | 40 W | Y | 200 W |
| B | 1/4 W | J | 7 W | R | 50 W | Z | 1000 W |
| C | 1/2 W | K | 8 W | S | 60 W | 04 | 0.4 W |
| D | 1 W | L | 9 W | T | 70 W | 06 | 0.6 W |
| E | 2 W | M | 10 W | U | 80 W | 18 | 18 W |
| F | 3 W | N | 15 W | V | 90 W | 27 | 27 W |
| G | 4 W | O | 20 W | W | 100 W | | |
| H | 5 W | P | 30 W | X | 150 W | | |

Table B - Special Type

| symbol | Forming | symbol | Forming | symbol | Forming |
|--------|----------------|--------|----------------|--------|----------|
| M | M-Type Forming | D | D-Type Forming | V | AVInsert |
| N | N-Type Forming | E | E-Type Forming | Blank | Standard |
| F | F-Type Forming | R | R-Type Forming | | |
| C | C-Type Forming | P | PANAsert | | |

ORDERING CODE

LEADED RESISTORS

TRIGON
COMPONENTS

Table C - RESISTANCE

STANDARD RESISTANCE VALUES FOR THE 10-TO-100 DECADE
(also usable in decade multiples or sub-multiples)

| Resistance Tolerance (±%) | | | | | | | | | | | | | | | | | |
|---------------------------|------|-----------------|-----------------------|------|-----------------|-----------------------|------|-----------------|-----------------------|------|-----------------|-----------------------|------|-----------------|-----------------------|------|-----------------|
| 0.1% 0.25% 0.5% | 1% | 2% 5% 10% | 0.1% 0.25% 0.5% | 1% | 2% 5% 10% | 0.1% 0.25% 0.5% | 1% | 2% 5% 10% | 0.1% 0.25% 0.5% | 1% | 2% 5% 10% | 0.1% 0.25% 0.5% | 1% | 2% 5% 10% | 0.1% 0.25% 0.5% | 1% | 2% 5% 10% |
| 10.0 | 10.0 | 10 | 14.7 | 14.7 | - | 21.5 | 21.5 | - | 31.6 | 36.1 | - | 46.4 | 46.4 | - | 68.1 | 68.1 | 68 |
| 10.1 | - | - | 14.9 | - | - | 21.8 | - | - | 32.0 | - | - | 47.0 | - | 47 | 69.0 | - | - |
| 10.2 | 10.2 | - | 15.0 | 15.0 | 15 | 22.1 | 22.1 | 22 | 32.4 | 32.4 | - | 47.5 | 47.5 | - | 69.8 | 69.8 | - |
| 10.4 | - | - | 15.2 | - | - | 22.3 | - | - | 32.8 | - | - | 48.1 | - | - | 70.6 | - | - |
| 10.5 | 10.5 | - | 15.4 | 15.4 | - | 22.6 | 22.6 | - | 33.2 | 33.2 | 33 | 48.7 | 48.7 | - | 71.5 | 71.5 | - |
| 10.6 | - | - | 15.6 | - | - | 22.9 | - | - | 33.6 | - | - | 49.3 | - | - | 72.3 | - | - |
| 10.7 | 10.7 | - | 15.8 | 15.8 | - | 23.2 | 23.2 | - | 34.0 | 34.0 | - | 49.9 | 49.9 | - | 73.2 | 73.2 | - |
| 10.9 | - | - | 16.0 | - | 16 | 23.4 | - | - | 34.4 | - | - | 50.5 | - | - | 74.1 | - | - |
| 11.0 | 11.0 | 11 | 16.2 | 16.2 | - | 23.7 | 23.7 | - | 34.8 | 34.8 | - | 51.1 | 51.1 | 51 | 75.0 | 75.0 | 75 |
| 11.1 | - | - | 16.4 | - | - | 24.0 | - | 24 | 35.2 | - | - | 51.7 | - | - | 75.9 | - | - |
| 11.3 | 11.3 | - | 16.5 | 16.5 | - | 24.3 | 24.3 | - | 35.7 | 35.7 | - | 52.3 | 52.3 | - | 76.8 | 76.8 | - |
| 11.4 | - | - | 16.7 | - | - | 24.6 | - | - | 36.1 | - | 36 | 53.0 | - | - | 77.7 | - | - |
| 11.5 | 11.5 | - | 16.9 | 16.9 | - | 24.9 | 24.9 | - | 36.5 | 36.5 | - | 53.6 | 53.6 | - | 78.7 | 78.7 | - |
| 11.7 | - | - | 17.2 | - | - | 25.2 | - | - | 37.0 | - | - | 54.2 | - | - | 79.6 | - | - |
| 11.8 | 11.8 | - | 17.4 | 17.4 | - | 25.5 | 25.5 | - | 37.4 | 37.4 | - | 54.9 | 54.9 | - | 80.6 | 80.6 | - |
| 12.0 | - | 12 | 17.6 | - | - | 25.8 | - | - | 37.9 | - | - | 55.6 | - | - | 81.6 | - | - |
| 12.1 | 12.1 | - | 17.8 | 17.8 | - | 26.1 | 26.1 | - | 38.3 | 38.3 | - | 56.2 | 56.2 | 56 | 82.5 | 82.5 | 82 |
| 12.3 | - | - | 18.0 | - | 18 | 26.4 | - | - | 38.8 | - | - | 56.9 | - | - | 83.5 | - | - |
| 12.4 | 12.4 | - | 18.2 | 18.2 | - | 26.7 | 26.7 | - | 39.2 | 39.2 | 39 | 57.6 | 57.6 | - | 84.5 | 84.5 | - |
| 12.6 | - | - | 18.4 | - | - | 27.1 | - | 27 | 39.7 | - | - | 58.3 | - | - | 85.6 | - | - |
| 12.7 | 12.7 | - | 18.7 | 18.7 | - | 27.4 | 27.4 | - | 40.2 | 40.2 | - | 59.0 | 59.0 | - | 86.6 | 86.6 | - |
| 12.9 | - | - | 18.9 | - | - | 27.7 | - | - | 40.7 | - | - | 59.7 | - | - | 87.6 | - | - |
| 13.0 | 13.0 | 13 | 19.1 | 19.1 | - | 28.0 | 28.0 | - | 41.2 | 41.2 | - | 60.4 | 60.4 | - | 88.7 | 88.7 | - |
| 13.2 | - | - | 19.3 | - | - | 28.4 | - | - | 41.7 | - | - | 61.2 | - | - | 89.8 | - | - |
| 13.3 | 13.3 | - | 19.6 | 19.6 | - | 28.7 | 28.7 | - | 42.2 | 42.2 | - | 61.9 | 61.9 | 62 | 90.9 | 90.9 | 91 |
| 13.5 | - | - | 19.8 | - | - | 29.1 | - | - | 42.7 | - | - | 62.6 | - | - | 92.0 | - | - |
| 13.7 | 13.7 | - | 20.0 | 20.0 | 20 | 29.4 | 29.4 | - | 43.2 | 43.2 | 43 | 63.4 | 63.4 | - | 93.1 | 93.1 | - |
| 13.8 | - | - | 20.3 | - | - | 29.8 | - | - | 43.7 | - | - | 64.2 | - | - | 94.2 | - | - |
| 14.0 | 14.0 | 14 | 20.5 | 20.5 | - | 30.1 | 30.1 | 30 | 44.2 | 44.2 | - | 64.9 | 64.9 | - | 95.3 | 95.3 | - |
| 14.2 | - | - | 20.8 | - | - | 30.5 | - | - | 44.8 | - | - | 65.7 | - | - | 96.5 | - | - |
| 14.3 | 14.3 | - | 21.0 | 21.0 | 21 | 30.9 | 30.9 | - | 45.3 | 45.3 | - | 66.5 | 66.5 | - | 97.6 | 97.6 | - |
| 14.5 | - | - | 21.3 | - | - | 31.2 | - | - | 45.9 | - | - | 67.3 | - | - | 98.8 | - | - |
| E-192 | E-96 | E-24 | E-192 | E-96 | E-24 | E-192 | E-96 | E-24 | E-192 | E-96 | E-24 | E-192 | E-96 | E-24 | E-192 | E-96 | E-24 |

※ **3-Digit IEC Code (E-24)**

Example: 1R0、100、101、102、103.....

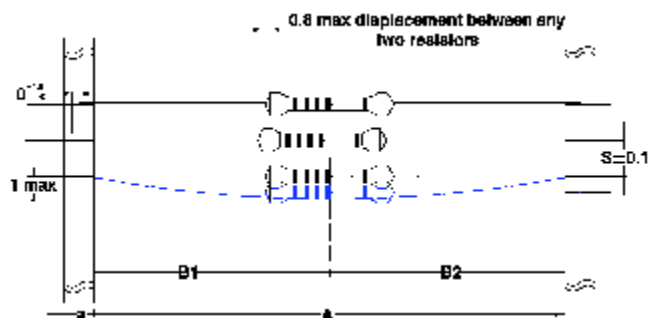
※ **4-Digit IEC Code (E-96,E-192)**

Example: 1R00、10R0、1000、1001、1002.....

PACKING

Leaded Resistors

TRIGON
COMPONENTS

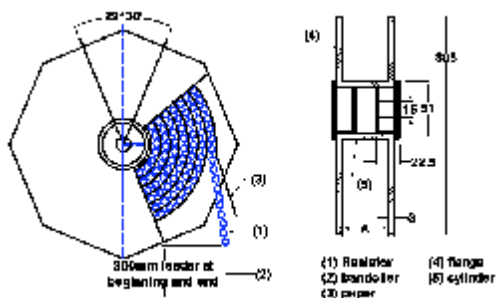


Bandolier for Axial Leads:
The resistor are supplied on bandolier; either 1000 resistors in ammo pack or 5000 resistors on reel.

PACKING METHODS (in/mm)

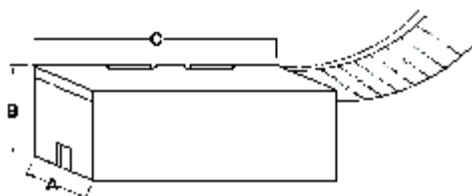
| STYLE | a | A | B1-B2 | S(spacing) | T(max. deviation of spacing) |
|----------------------|--------------------|---------------------------|----------------|---------------|---|
| RJW, 1/8W 1/4W(S) | 0.24 ±0.2 (6±5) | 2.07±0.06 (52.5±1.5) | 0.047 (1.2) | 0.2 (5.0) | 1 mm per 10 spacing 0.5 mm per 5 spacing |
| 1/4W 1/2W(S) | 0.24 ±0.2 (6±5) | 2.07±0.06 (52.5±1.5) | 0.047 (1.2) | 0.2 (5.0) | |
| 1/2W 1W(S) | 0.24 ±0.2 (6±5) | 2.07±0.06 (52.5±1.5) | 0.047 (1.2) | 0.2 (5.0) | |
| 1W 2W(S) | 0.24 ±0.2 (6±5) | 2.87±0.06 (73.0.0±1.5) | 0.06 (1.5) | 0.2 (5.0) | |
| 2W 3W(S) | 0.24 ±0.2 (6±5) | 2.87±0.06 (73.0.0±1.5) | 0.06 (1.5) | 0.4 (10.0) | |

TYPE ON REEL PACKING: Bandoliers can be reeled; Dimension a differ with type.



| STYLE | ACROSS FLANGE(A) | QTY PER REEL |
|----------------------|----------------------|--------------|
| RJW, 1/8W 1/4W(S) | 2.83 (72) | 5,000 |
| 1/4W 1/2W(S) | 1.89/2.83 (48/72) | 5,000 |
| 1/2W 1W(S) | 2.83 (72) | 3,000 |
| 1W 2W(S) | 3.74 (95) | 2,000 |
| 2W 3W(S) | 3.74 (95) | 1,000 |

TYPE ON BOX PACKING: Bandoliers may also be supplied in a cardboard box ("ammo pack").



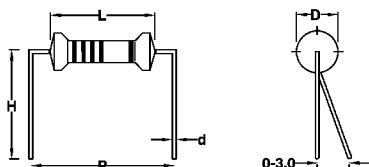
| STYLE | W(A) | H(B) | L(C) | QTY PER BOX |
|----------------------|---------------|--------------|----------------|-------------|
| RJW, 1/8W 1/4W(S) | 3.07 (78) | 0.79 (20) | 10.39 (264) | 5,000 |
| 1/4W 1/2W(S) | 3.07 (78) | 0.79 (20) | 10.39 (264) | 5,000 |
| 1/2W 1W(S) | 3.07 (78) | 1.81 (46) | 10.39 (264) | 3,000 |
| 1W 2W(S) | 4.06 (103) | 2.76 (70) | 10.43 (265) | 2,000 |
| 2W 3W(S) | 4.06 (103) | 3.35 (85) | 10.43 (265) | 1,000 |

FORMING

Leaded Resistors

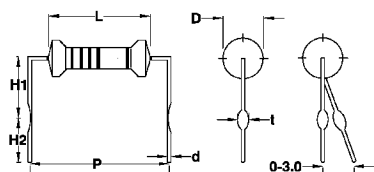
TRIGON
COMPONENTS

M TYPE (in/mm)



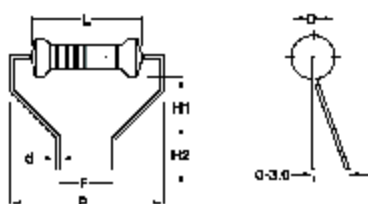
| STYLE | L | p | D | d | H |
|-----------------|--------------------------|-------------------------|--------------------------|-----------------------------|------------------------|
| 1/8W 1/4W(S) | 0.13 ±0.02 (3.3±0.5) | 0.20±0.04 (5.0±1.0) | 0.07 ±0.01 (1.8±0.25) | 0.018 ±0.002 (0.45±0.05) | 0.39 ±0.04 (10.0±1) |
| 1/4W 1/2W(S) | 0.25 ±0.02 (6.3±0.5) | 0.39±0.04 (10.0±1.0) | 0.09 ±0.01 (2.3±0.25) | 0.022 ±0.002 (0.55±0.05) | 0.39 ±0.04 (10.0±1) |
| 1/2W 1W(S) | 0.35 ±0.02 (9.0±0.5) | 0.49±0.04 (12.5±1.0) | 0.13 ±0.02 (3.2±0.5) | 0.024 ±0.002 (0.6±0.05) | 0.39 ±0.04 (10±1) |
| 1W 2W(S) | 0.45 ±0.04 (11.5±1.0) | 0.59±0.04 (15.0±1.0) | 0.18 ±0.02 (4.5±0.5) | 0.031 ±0.002 (0.78±0.05) | 0.59 ±0.04 (10±1) |
| 2W 3W(S) | 0.61±0.04 (15.5±1.0) | 0.79±0.04 (20.0±1.0) | 0.2 ±0.02 (5.0±0.5) | 0.031 ±0.002 (0.78±0.05) | 0.59 ±0.04 (10±1) |

N TYPE (in/mm)



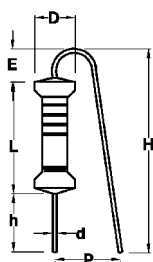
| STYLE | L | p | D | d | H1 | H2 | t |
|---------------|--------------------------|--------------------------|-------------------------|-----------------------------|-----------------------|-----------------------|-------------------------|
| 1/2W 1W(S) | 0.35 ±0.02 (9.0±0.5) | 0.49±0.04 (12.5±1.0) | 0.13 ±0.02 (3.2±0.5) | 0.024 ±0.002 (0.6±0.05) | 0.24 ±0.04 (6.0±1) | 0.20 ±0.04 (4.0±1) | 0.05±0.008 (1.3±0.2) |
| 1W 2W(S) | 0.45 ±0.04 (11.5±1.0) | 0.59±0.04 (15.0±1.0) | 0.18 ±0.02 (4.5±0.5) | 0.031 ±0.002 (0.78±0.05) | 0.24 ±0.04 (6.0±1) | 0.20 ±0.04 (4.0±1) | 0.05±0.008 (1.3±0.2) |
| 2W 3W(S) | 0.61 ±0.04 (15.5±1.0) | 0.79±0.04 (20.0±1.0) | 0.20 ±0.02 (5.0±0.5) | 0.031 ±0.002 (0.78±0.05) | 0.24±0.04 (6.0±1) | 0.20 ±0.04 (4.0±1) | 0.05±0.008 (1.3±0.2) |
| 3W 5W(S) | 0.67 ±0.04 (17±1.0) | 1.18 ±0.04 (30.0±1.0) | 0.24 ±0.02 (6.0±0.5) | 0.031 ±0.002 (0.78±0.05) | 0.51±0.04 (13.0±1) | 0.20 ±0.04 (4.0±1) | 0.05±0.008 (1.3±0.2) |
| 5W | 0.96 ±0.04 (24.5±1.0) | 1.18 ±0.04 (30.0±1.0) | 0.31 ±0.02 (8.0±0.5) | 0.031 ±0.002 (0.78±0.05) | 0.51±0.04 (13.0±1) | 0.20 ±0.04 (4.0±1) | 0.05±0.008 (1.3±0.2) |

R TYPE (in/mm)



| STYLE | L | p | F | D | d | H1 | H2 |
|---------------|--------------------------|-------------------------|------------------------|-------------------------|-----------------------------|-----------------------|----------------------|
| 1/2W 1W(S) | 0.35 ±0.02 (9.0±0.5) | 0.57±0.04 (14.5±1.0) | 0.28±0.02 (7.0±0.5) | 0.16 ±0.02 (3.2±0.5) | 0.24 ±0.002 (0.6±0.05) | 0.28 ±0.04 (7.1±1) | 0.20±0.04 (5.0±1) |
| 1W 2W(S) | 0.45 ±0.04 (11.5±1.0) | 0.69±0.04 (17.5±1.0) | 0.28±0.02 (7.0±0.5) | 0.18 ±0.02 (4.5±0.5) | 0.031 ±0.002 (0.78±0.05) | 0.31 ±0.04 (7.8±1) | 0.20±0.04 (5.0±1) |
| 2W 3W(S) | 0.61 ±0.04 (15.5±1.0) | 0.85±0.04 (21.5±1.0) | 0.28±0.02 (7.0±0.5) | 0.20±0.02 (5.0±0.5) | 0.031±0.002 (0.78±0.05) | 0.35 ±0.04 (8.9±1) | 0.20±0.04 (5.0±1) |

F TYPE (in/mm)

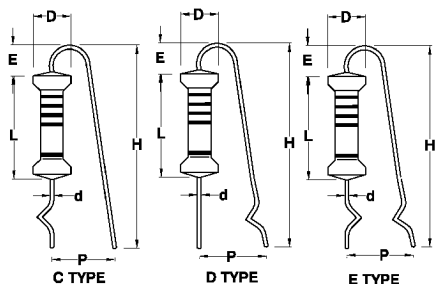


| STYLE | L | p | D | d | h | H max | E max |
|---------------|--------------------------|------------------------|-------------------------|----------------------------|----------------------|--------------|-------------|
| 1/2W 1W(S) | 0.35 ±0.04 (9.0±0.5) | 0.24±0.04 (6.0±1.0) | 0.13 ±0.02 (3.2±0.3) | 0.023±0.002 (0.58±0.05) | 0.20±0.04 (5.0±1) | 0.70 (18) | 0.14 3.5 |
| 1W 2W(S) | 0.45 ±0.04 (11.5±1.0) | 0.24±0.04 (6.0±1.0) | 0.18 ±0.02 (4.5±0.5) | 0.031±0.002 (0.78±0.05) | 0.20±0.04 (5.0±1) | 0.86 (22) | 0.14 3.5 |
| 2W 3W(S) | 0.61 ±0.04 (15.5±1.0) | 0.24±0.04 (6.0±1.0) | 0.20±0.02 (5.0±0.5) | 0.031±0.002 (0.78±0.05) | 0.20±0.04 (5.0±1) | 1.02 (26) | 0.14 3.5 |
| 3W 5W(S) | 0.67 ±0.04 (17.0±1.0) | 0.24±0.04 (6.0±1.0) | 0.24±0.02 (6.0±0.5) | 0.031±0.002 (0.78±0.05) | 0.20±0.04 (5.0±1) | 1.06 (27) | 0.14 3.5 |
| 5W | 0.96 ±0.04 (24.5±1.0) | 0.24±0.04 (6.0±1.0) | 0.31±0.02 (8.0±0.5) | 0.031±0.002 (0.78±0.05) | 0.20±0.04 (5.0±1) | 1.37 (35) | 0.14 3.5 |

FORMING

Leaded Resistors

TRIGON
COMPONENTS

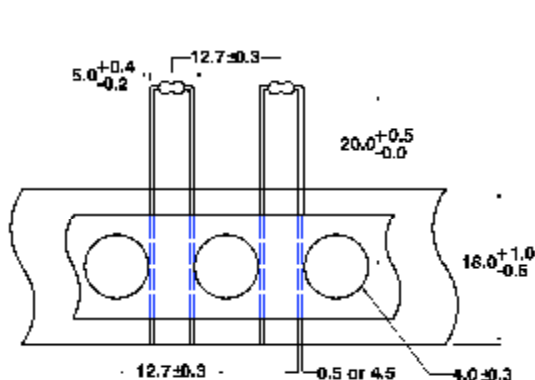


C, D, E TYPE (in/mm)

| STYLE | L | p | D | d | h | H max | E max |
|---------------|--------------------------|-------------------------|-------------------------|----------------------------|-----------------------|--------------|-------------|
| 1/2W 1W(S) | 0.35 ±0.04 (9.0±0.5) | 0.39±0.04 (10.0±1.0) | 0.13 ±0.02 (3.2±0.3) | 0.023±0.002 (0.58±0.05) | 0.20±0.04 (5.0±1) | 0.70 (18) | 0.14 3.5 |
| 1W 2W(S) | 0.45 ±0.04 (11.5±1.0) | 0.24±0.04 (6.0±1.0) | 0.18 ±0.02 (4.5±0.5) | 0.031±0.002 (0.78±0.05) | 0.39±0.04 (10.0±1) | 1.06 (27) | 0.14 3.5 |
| 2W 3W(S) | 0.61 ±0.04 (15.5±1.0) | 0.24±0.04 (6.0±1.0) | 0.20±0.02 (5.0±0.5) | 0.031±0.002 (0.78±0.05) | 0.39±0.04 (10.0±1) | 1.22 (31) | 0.14 3.5 |

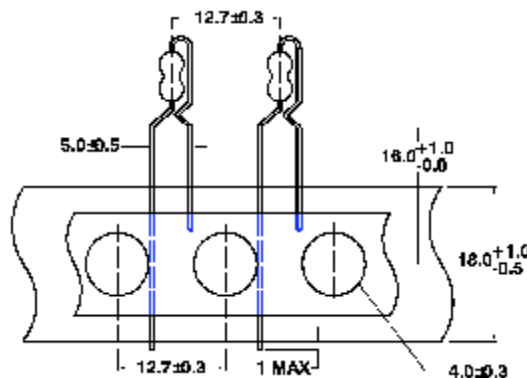
M Type Forming for Taping

(Rated Watts 1/8 W size only)



P Type Forming for Taping

(Rated Watts 1/4 W size only)



V Type Forming for Taping

(Rate Watts 1/4 W size only)

