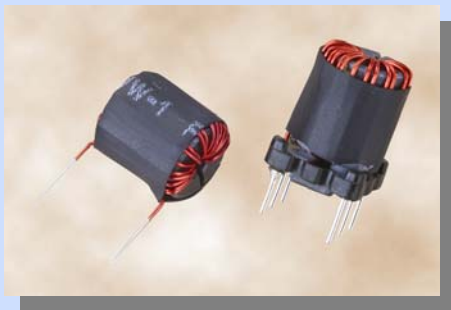


ITGZ & ITGB Series

Through Hole Gap Toroidal Inductors - ITGZ19, ITGB19

TRIGON
COMPONENTS



FEATURES

- Micro gap toroid technology.
- Not easy magnetic saturation.

APPLICATION

- VCD, DVD, etc.

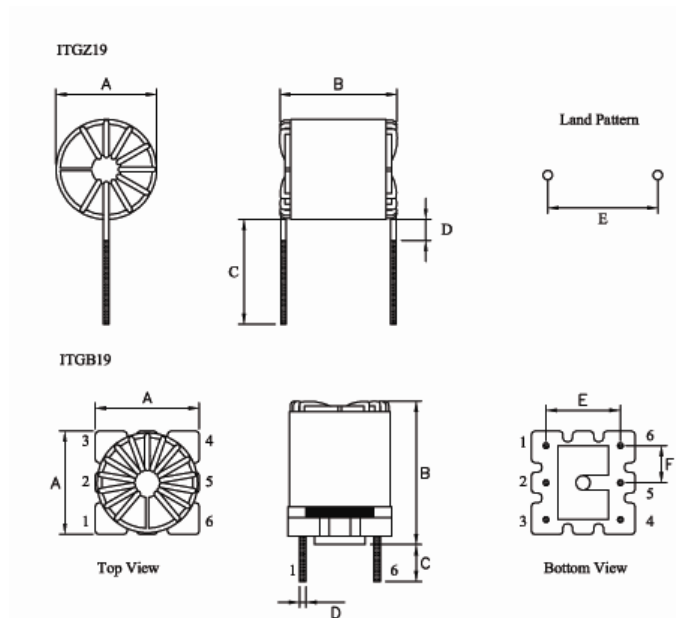
ORDERING CODE

ITGZ19
(1)

(1) Through Hole Gap Toroidal Inductors

ITGZ19
ITGB19

Configurations:



Dimension (mm)

Item	A	B	C	D	E	F
ITGZ19	10.0 (Ref.)	11.5 (Ref.)	15.0±5.0	2.0 (max)	11.0	-
ITGB19	11.0 (Ref.)	15.0 (Ref.)	3.5±1.0	0.6±0.05	7.0±0.5	3.5±0.5

※Design as Customer's Requested Specifications.

Electrical Characteristics for ITGZ19 / ITGB19A Series

Part Number	Inductance (μH)	Test Freq. (KHz)	DCR (Ω) (max)	IDC (A) (max)
ITGZ19	19.5	100	0.093	3.00
ITGB19	19.5	100	0.093	3.00

- ※Test Freq. : 100KHz / 0.1V.
- ※Operating Temp. : -40°C ~ +85°C.
- ※Inductance drop=10% typ. at IDC.