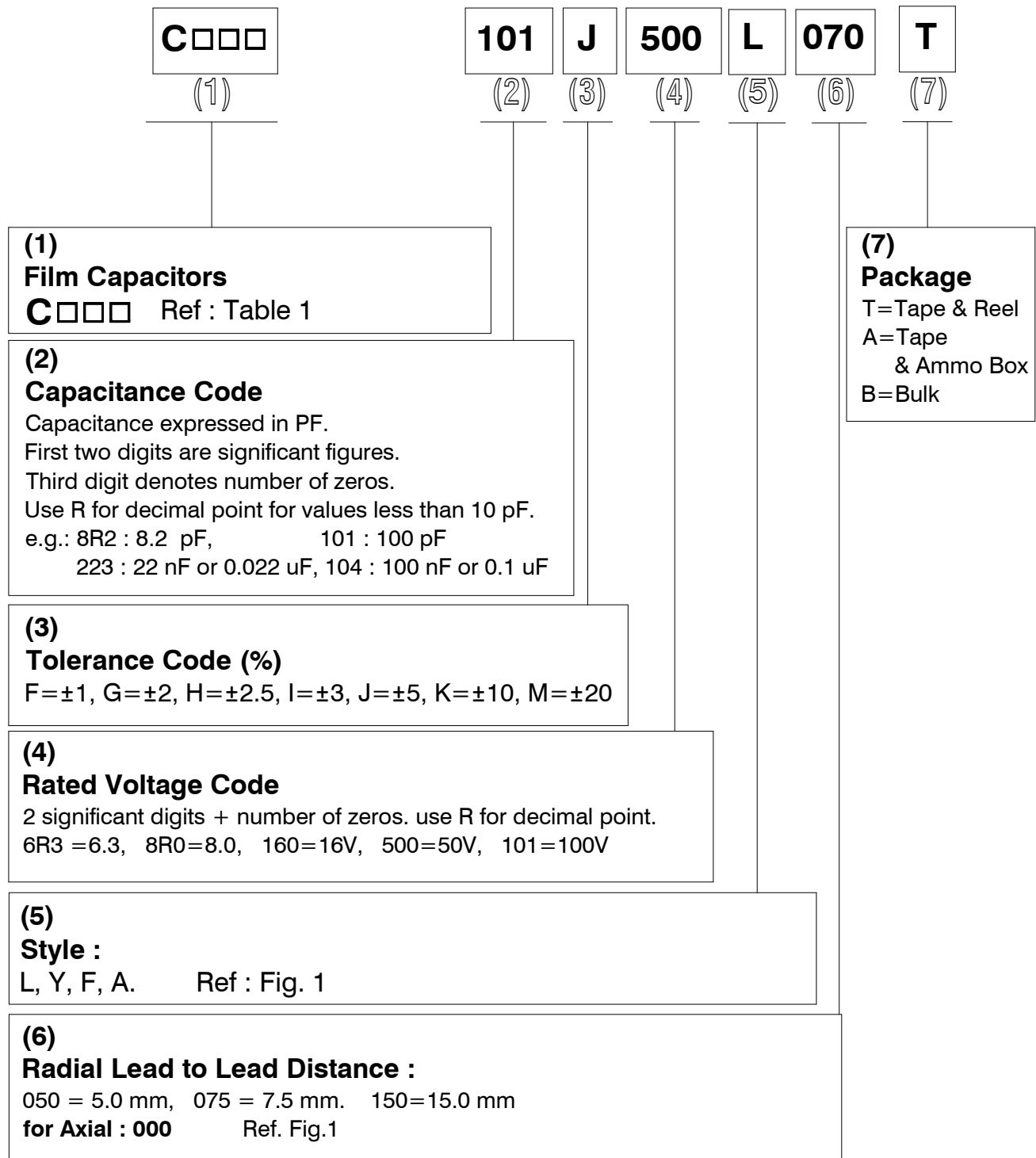


# ORDERING CODE

## Film Capacitors

**TRIGON**  
COMPONENTS



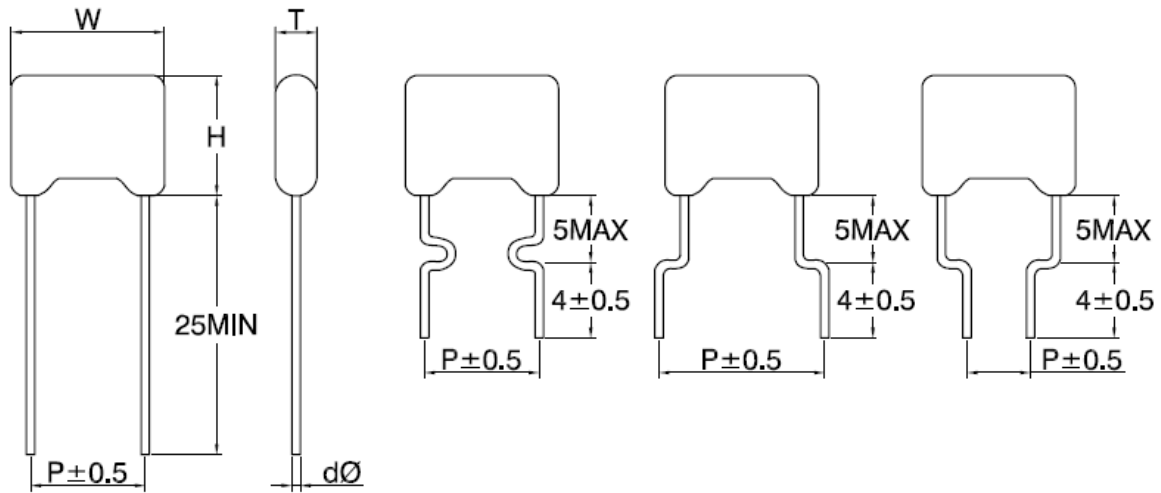
Capacitor

# ORDERING CODE

Film Capacitors

TRIGON  
COMPONENTS

## 1. RADIAL



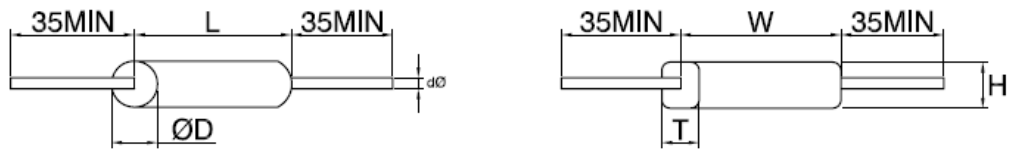
L Style

Y Style

F Style

F Style

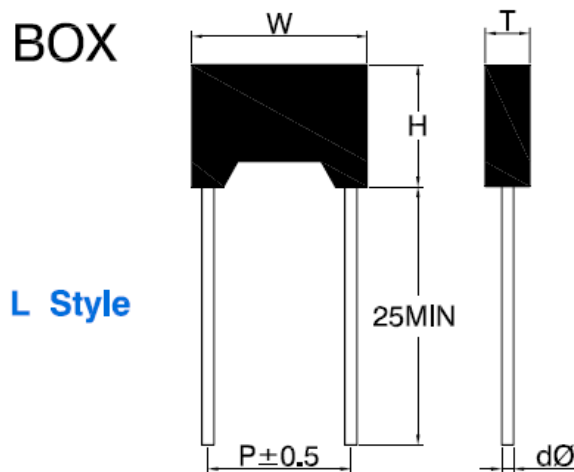
## 2. AXIAL



A Style

A Style

## 3. BOX



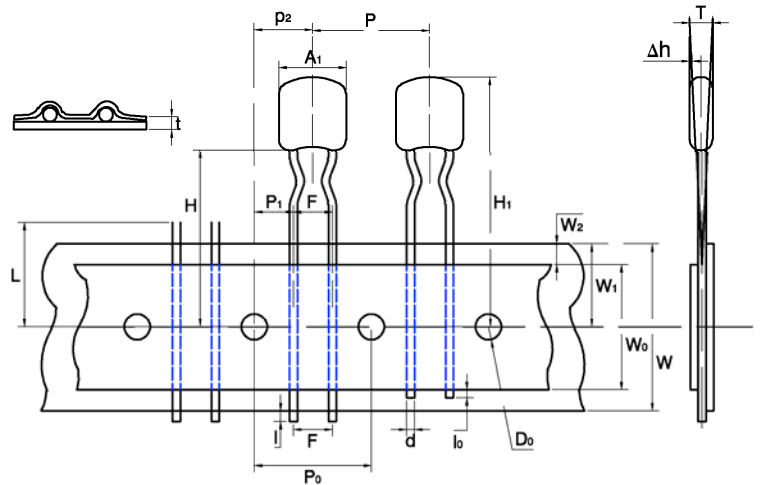
L Style

# PACKING

## Film Capacitors

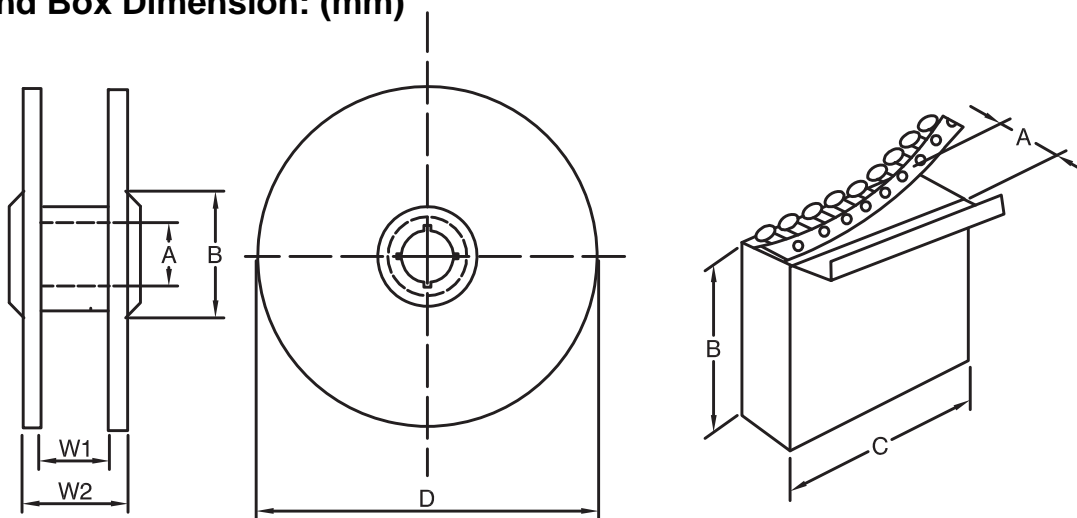
### DIMENSION: Units (mm)

Symbol	Dimension	Symbol	Dimension
d	0.5 / 0.6	P <sub>0</sub>	12.7 ± 0.3
Δh	0. ± 1.02	P <sub>1</sub>	3.85 ± 0.7
H	16.0 ± 0.50	P <sub>2</sub>	6.35 ± 1.3
H <sub>1</sub>	20.5 ± 0.75	W	18.0 <sup>+1.0</sup> <sub>-0.5</sub>
D <sub>0</sub>	4.0 ± 0.3	W <sub>2</sub>	Under 3
P	12.70 ± 1.0	W <sub>1</sub>	9.0 <sup>+0.75</sup> <sub>-0.5</sub>
l	Under 2	W <sub>0</sub>	Above 12.5
t	0.7 ± 0.2	A <sub>1</sub>	Under 10.0
		F	5.0 <sup>+0.8</sup> <sub>-0.2</sub>



Capacitor

### Reel and Box Dimension: (mm)



### Reel Packaging:

### Ammo Box Packaging:

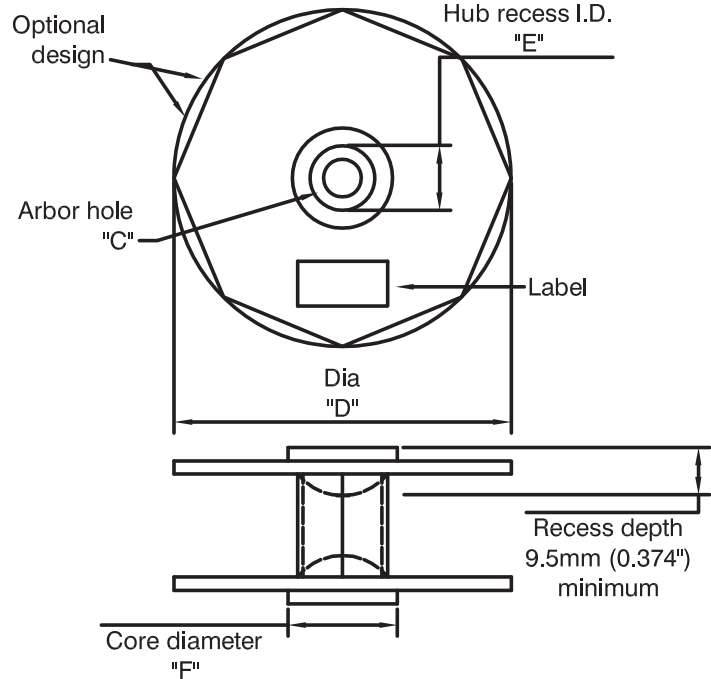
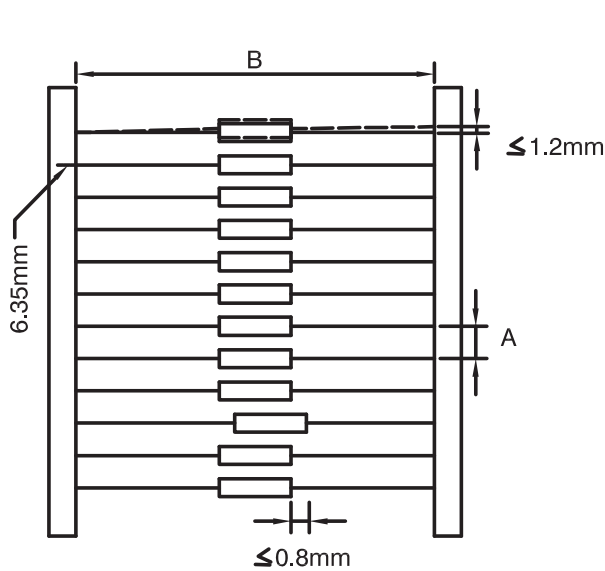
Dimensions Unit : mm	A	14 – 30	A	50 <sup>+5</sup> <sub>-2</sub>
	B	80 MIN	B	260 + 2
	D	370 MAX	C	330 ± 2
	W1	45 <sup>+5</sup> <sub>-2</sub>		
	W2	55 MAX		
Packing Q'TY Per Reel / Box	C ≤ 0.018	C > 0.018	C ≤ 0.022	C > 0.022
	1,500 PCS	1,000 PCS	1,500 PCS	1,000 PCS
	0.022	0.022	0.047	0.047

**Notes:** Dimensions may change in order to accommodate larger body capacitors. Please refer to or ask for a specification sheets to ensure correct sizing.

# PACKING

## Film Capacitors

**TRIGON**  
COMPONENTS



CAPACITOR BODY DIAMETER	CAPACITOR PITCH "A" $\pm 0.5\text{mm}$ (0.020")
$\geq 5\text{mm}$ ( $\geq 0.197$ " ) 5.01 ~ 10mm ( 0.197 ~ 0.394" ) 10.01 ~ 15mm ( 0.394 ~ 0.591" )	5mm or 0.200" 10mm or 0.400" 15mm or 0.600"

CAPACITOR BODY LENGTH	INSIDE TYPE SPACING "B" $\pm 1.5\text{mm}$ (0.059")
$\geq 16.50\text{mm}$ ( $\geq 0.65$ " ) 16.51 ~ 28.4mm ( 0.651 ~ 0.394" ) 28.46 ~ 37.00mm ( 1.121 ~ 1.45" )	52.44mm or 2.062" 63.5 mm or 0.400" 73.0 mm or 0.600"

	C	D	E	F
<b>EIA Std. RF Spec.</b>	13.9~38.1mm (0.54~1.50") 14.50mm (0.570")	76.2~355.6mm (3.0~14.0") 381.0mm (15")	28.6~78.0mm (1.126~3.071") 54.2mm (2.130")	34.5~92.0mm (1.374~3.626") 61.0mm (2.401")

CAPACITOR BODY DIA.	PITCH	QUANTITY PCS/REEL
$\geq 5.0$ mm	6 mm	4,000 max
5.1 ~ 7.0 mm	10 mm	2,000 max
7.1 ~ 9.5 mm	10 mm	1,000 max